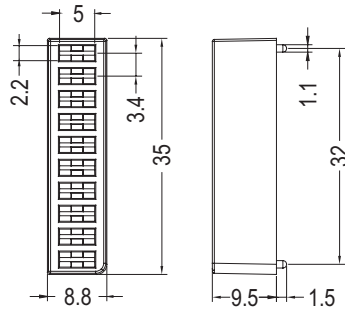


# LED SPACER SUPPORT

PLASTECH

- MATERIAL: NYLON 66 (UL)
- FLAME CLASS : 94V-2/94V-0
- COLOR: BLACK
- UNIT: mm



**NEW**

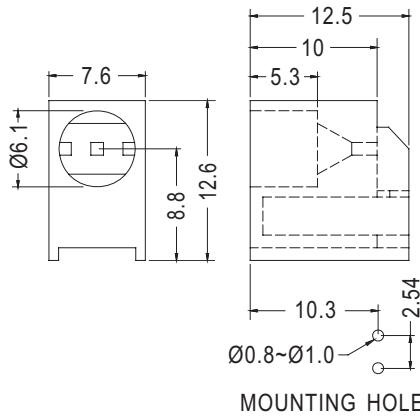
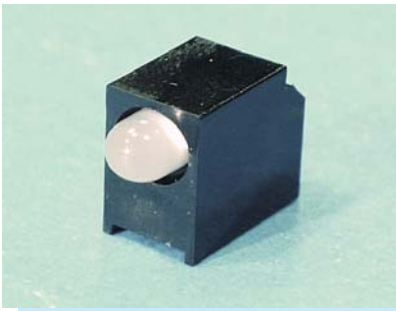
PART NO	PACKAGE
LED-101	1000

3

# LED SPACER SUPPORT

PLASTECH

- MATERIAL: PC (UL)
- FLAME CLASS: 94V-2
- COLOR: BLACK
- UNIT: mm

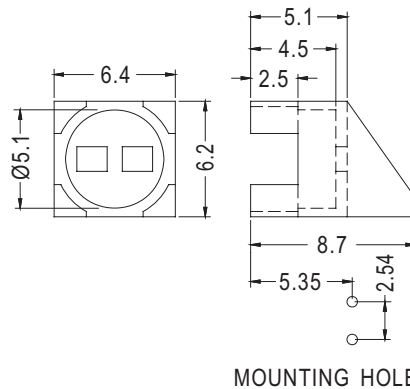
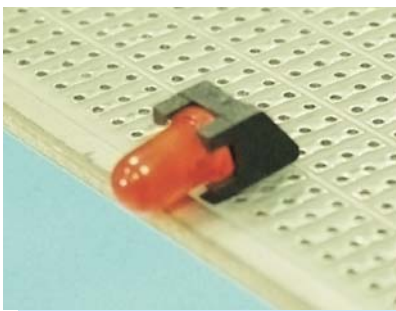


PART NO	PACKAGE
LED-535	500

# LED SPACER SUPPORT

PLASTECH

- MATERIAL: NYLON 66 (UL)
- FLAME CLASS : 94V-2
- COLOR: BLACK
- UNIT: mm



PART NO	PACKAGE
LED1L-2.5	2000