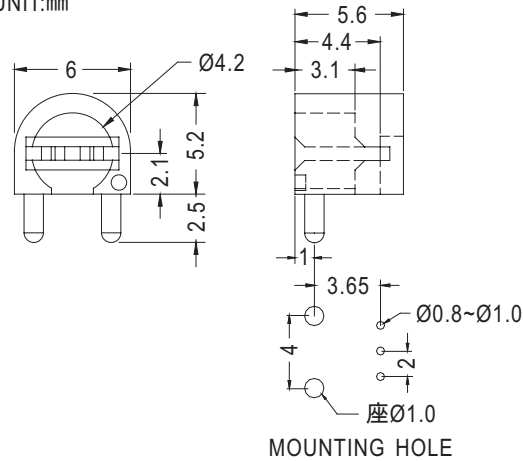
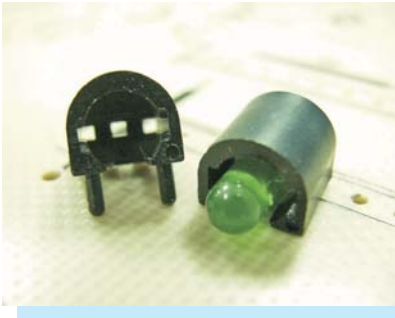


LED SPACER SUPPORT

PLASTECH

- MATERIAL: NYLON 66 (UL)
- FLAME CLASS :94V-2
- COLOR: BLACK
- UNIT: mm



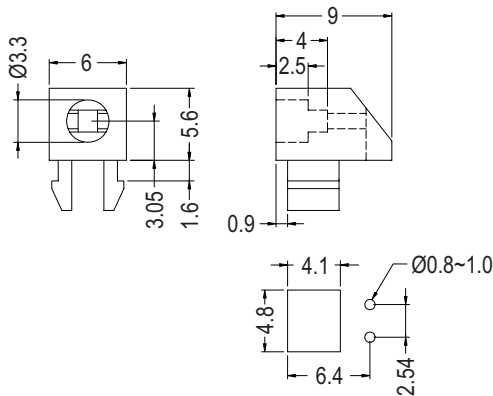
PART NO	PACKAGE
LEK-312	1000

3

LED SPACER SUPPORT

PLASTECH

- MATERIAL: NYLON 66 (UL)
- FLAME CLASS :94V-2
- COLOR: BLACK
- UNIT: mm



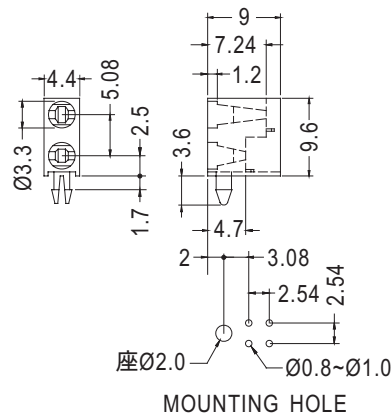
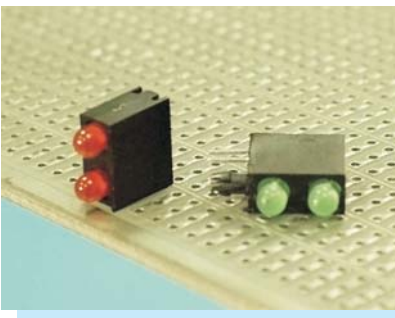
NEW

PART NO	PACKAGE
LEK-314	1000

LED SPACER SUPPORT

PLASTECH

- MATERIAL: NYLON 66(UL)
- FLAME CLASS :94V-2
- COLOR: BLACK
- UNIT: mm



PART NO	PACKAGE
LEK-320	1000