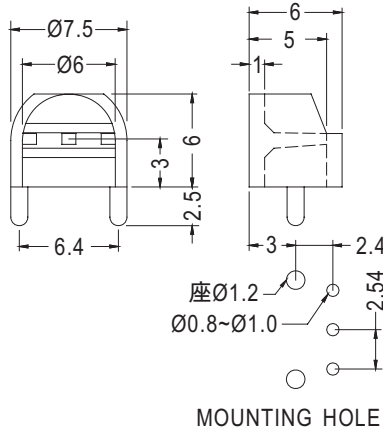


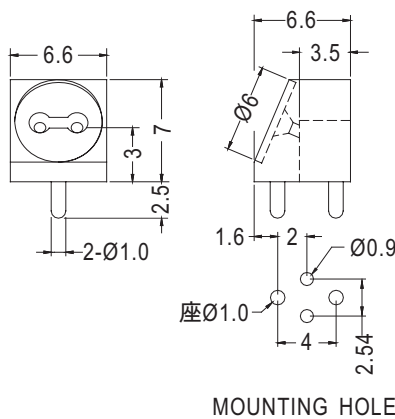
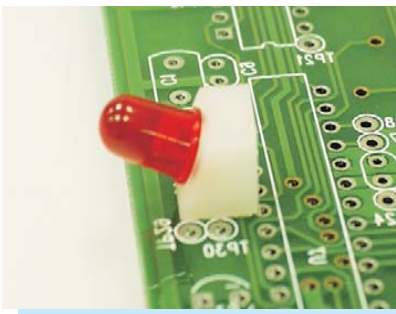
- MATERIAL: NYLON 66 (UL)
- FLAME CLASS :94V-2
- COLOR: BLACK
- UNIT: mm



PART NO	PACKAGE
LEK-508	1000

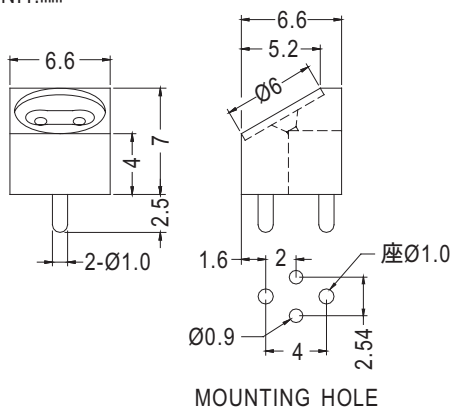
3

- MATERIAL: NYLON 66 (UL)
- FLAME CLASS :94V-2
- COLOR: BLACK/NATURAL
- UNIT: mm



PART NO	PACKAGE
LEK-509	1000

- MATERIAL: NYLON 66 (UL)
- FLAME CLASS :94V-2
- COLOR: NATURAL
- UNIT: mm



PART NO	PACKAGE
LEK-513	2000