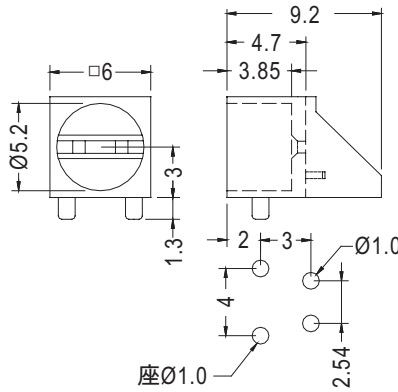
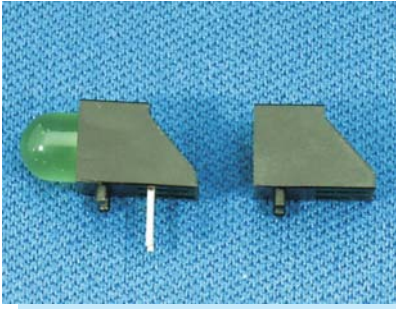


LED SPACER SUPPORT

PLASTECH

- MATERIAL:NYLON 66 (UL)
- FLAME CLASS :94V-2
- COLOR:BLACK
- UNIT:mm



PART NO	PACKAGE
LEK-516	2000

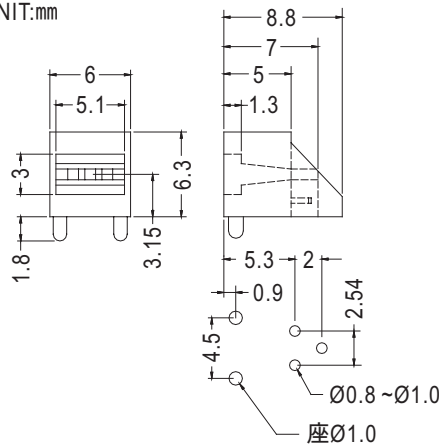
MOUNTING HOLE

3

LED SPACER SUPPORT

PLASTECH

- MATERIAL:NYLON 66 (UL)
- FLAME CLASS :94V-2
- COLOR:BLACK
- UNIT:mm



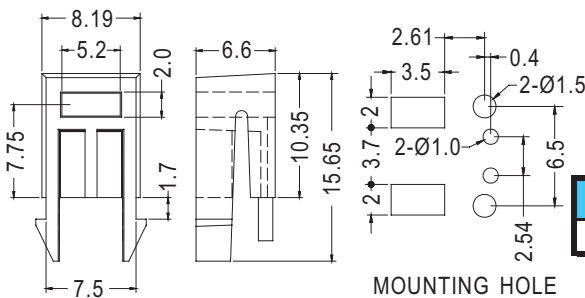
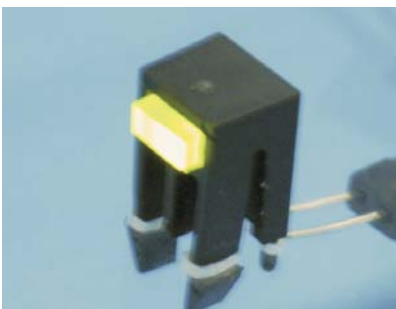
PART NO	PACKAGE
LEK-518	1000

MOUNTING HOLE

LED SPACER SUPPORT

PLASTECH

- MATERIAL:NYLON 66 (UL)
- FLAME CLASS :94V-0/94V-2
- COLOR:BLACK
- UNIT:mm



PART NO	PACKAGE
LEK-520	1000

MOUNTING HOLE