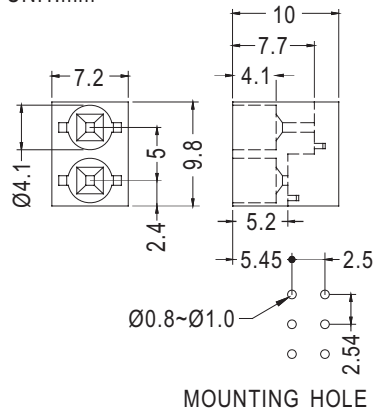
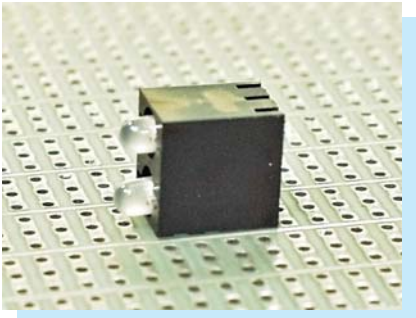


# LED SPACER SUPPORT

PLASTECH

- MATERIAL:NYLON 66 (UL)
- FLAME CLASS :94V-2/94V-0
- COLOR:BLACK
- UNIT:mm



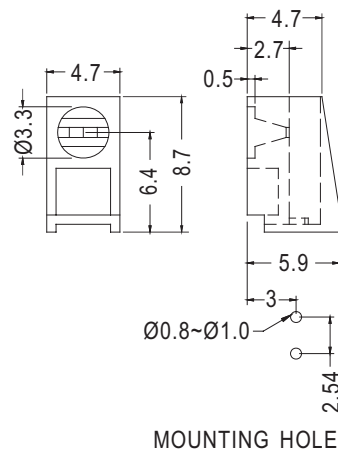
PART NO	PACKAGE
LED-310	1000

# LED SPACER SUPPORT

PLASTECH

3

- MATERIAL:NYLON 66 (UL)
- FLAME CLASS :94V-2
- COLOR:BLACK
- UNIT:mm

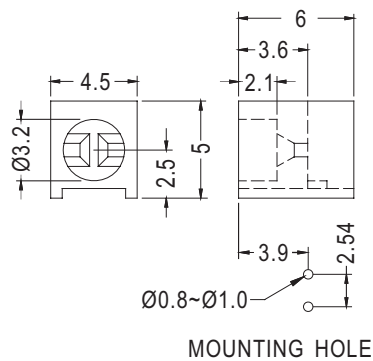


PART NO	PACKAGE
LED-312	2000

# LED SPACER SUPPORT

PLASTECH

- MATERIAL:NYLON 66 (UL)
- FLAME CLASS :94V-2
- COLOR:BLACK
- UNIT:mm



PART NO	PACKAGE
LED-313	2000