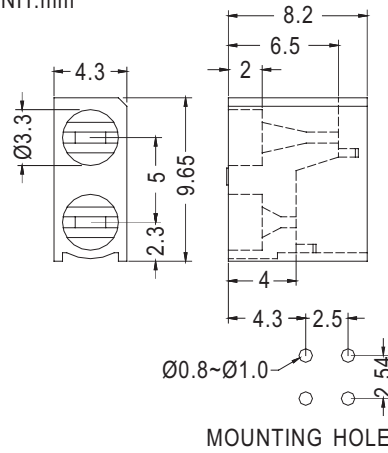


LED SPACER SUPPORT

PLASTECH

- MATERIAL:NYLON 66 (UL)
- FLAME CLASS :94V-2
- COLOR:BLACK
- UNIT:mm



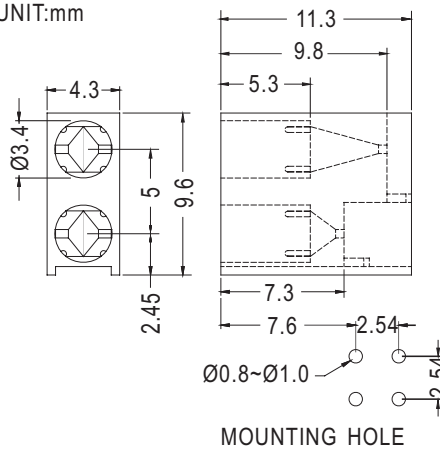
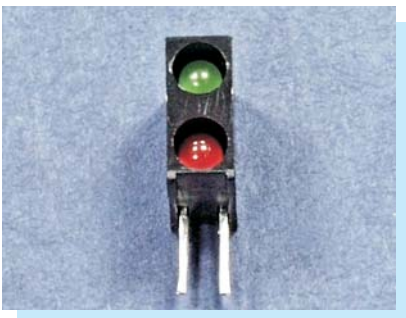
PART NO	PACKAGE
LED-322	1000

LED SPACER SUPPORT

PLASTECH

3

- MATERIAL:NYLON 66 (UL)
- FLAME CLASS :94V-2
- COLOR:BLACK
- UNIT:mm

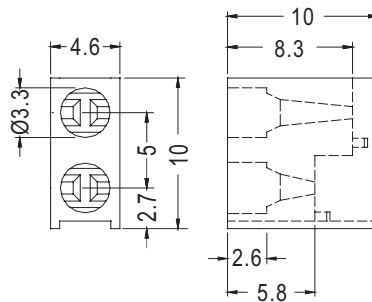
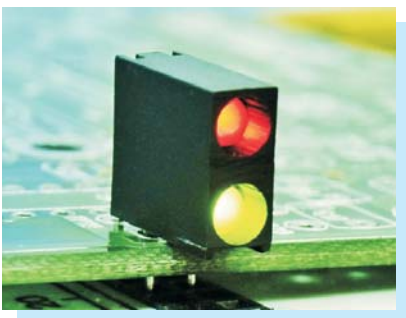


PART NO	PACKAGE
LED-323	1000

LED SPACER SUPPORT

PLASTECH

- MATERIAL:NYLON 66 (UL)
- FLAME CLASS :94V-2
- COLOR:BLACK
- UNIT:mm



PART NO	PACKAGE
LED-324	1000