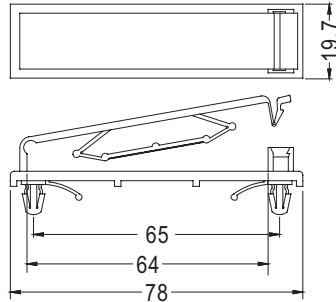


FLAT CABLE CLAMP

PLASTECH

- MATERIAL: NYLON 66 (UL)
- FLAME CLASS :94V-2
- COLOR:NATURAL
- UNIT:mm



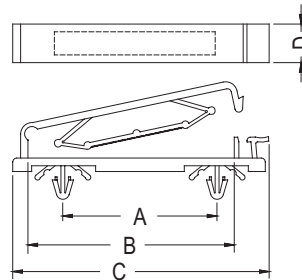
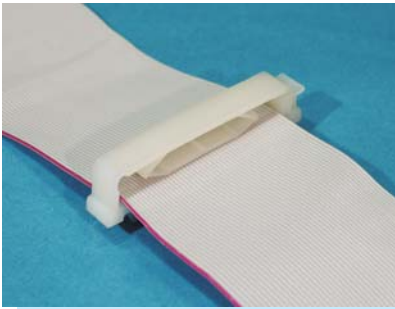
PART NO	SUITABLE CABLE	PACKAGE
FCD-1	50 PIN	50

CHASSIS Ø4.8
THICKNESS 0.8~2.2

FLAT CABLE CLAMP

PLASTECH

- MATERIAL: NYLON 66 (UL)
- FLAME CLASS :94V-2
- COLOR:NATURAL
- UNIT:mm



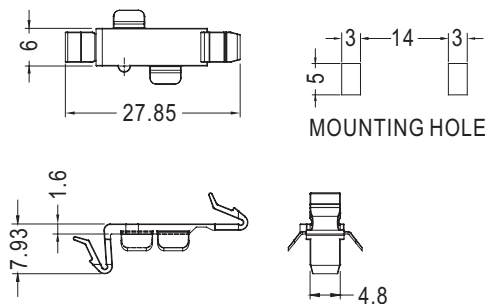
CHASSIS Ø4.0
THICKNESS 0.8~2.2

PART NO	A	B	C	D	SUITABLE CABLE	PACKAGE
FCD-35	35.0	39.6	55.0	12.5	35 PIN	100
FCD-40	40.0	53.8	65.0	10.2	40 PIN	
FCD-50	49.7	64.3	77.0	10.0	50 PIN	

WIRE MOUNT

PLASTECH

- MATERIAL: NYLON 66 (UL)
- FLAME CLASS :94V-0/94V-2
- COLOR:NATURAL
- UNIT:mm



PART NO	PACKAGE
CCMD-1	1000