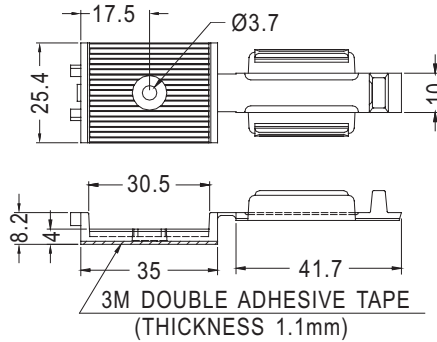


FLAT CABLE CLAMP

PLASTECH

- MATERIAL: NYLON 66 (UL)
- FLAME CLASS :94V-2
- COLOR: GRAY
- UNIT: mm

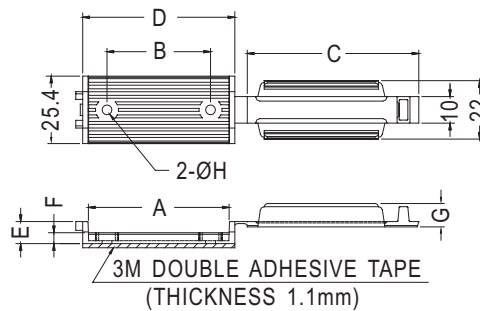


PART NO	PACKAGE
FCH-30	100

FLAT CABLE CLAMP

PLASTECH

- MATERIAL: NYLON 66 (UL)
- FLAME CLASS :94V-2
- COLOR: GRAY
- UNIT: mm

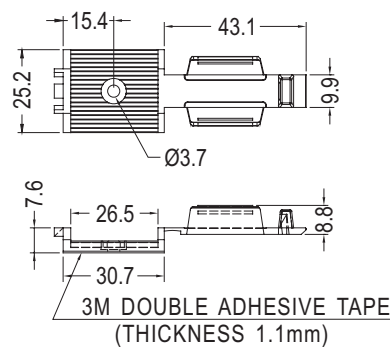


PART NO.	A	B	C	D	E	F	G	H	PACKAGE
FCH-50	53.0	39.0	64.6	57.3	8.3	4.1	8.8	3.7	50
FCH-80	78.93	38.7	90.6	82.3	12.3	6.3	7.6	3.8	

FLAT CABLE CLAMP

PLASTECH

- MATERIAL: NYLON 66 (UL)
- FLAME CLASS: 94V-2
- COLOR: NATURAL/GRAY
- UNIT: mm



NEW

PART NO	PACKAGE
FCH-29	100