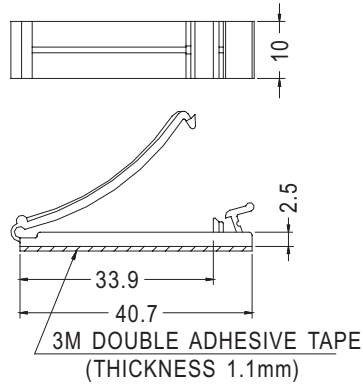
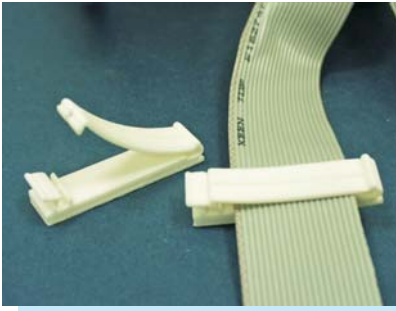


FLAT CABLE CLAMP

PLASTECH

- MATERIAL: NYLON 66 (UL)
- FLAME CLASS :94V-0/94V-2
- COLOR:NATURAL
- UNIT:mm



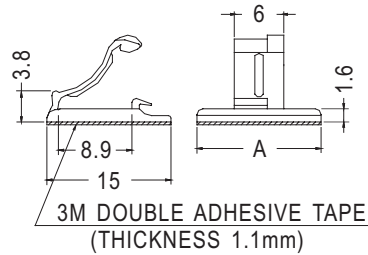
PART NO	PACKAGE
FCJ-40	100

WIRE MOUNT

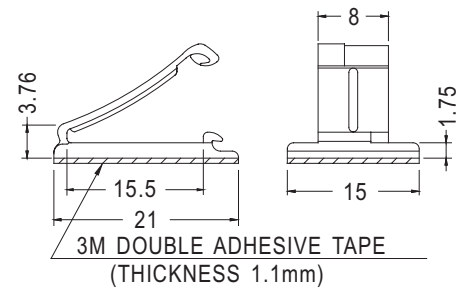
PLASTECH

4

- MATERIAL: NYLON 66 (UL)
- FLAME CLASS :94V-2
- COLOR:BLACK
- UNIT:mm



PART NO	A	PACKAGE
WDF-1	15.0	1000
WDF-3	6.0	

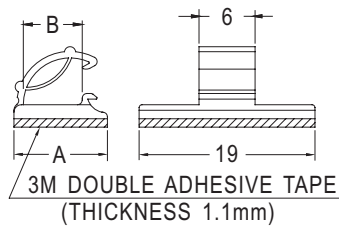


PART NO	PACKAGE
WDF-2	1000

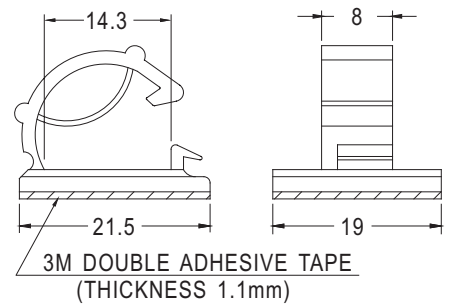
WIRE MOUNT

PLASTECH

- MATERIAL: NYLON 66 (UL)
- FLAME CLASS :94V-2
- COLOR:NATURAL/BLACK
- UNIT:mm



PART NO	A	B	PACKAGE
WCC-1	10.0	6.3	1000
WCC-2	14.0	10.5	500



PART NO	PACKAGE
WCC-3	500