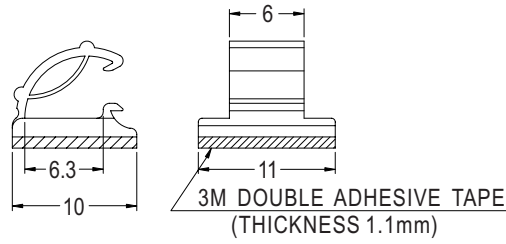


WIRE MOUNT

PLASTECH

- MATERIAL:NYLON 66 (UL)
- FLAME CLASS:94V-2
- COLOR:NATURAL/BLACK
- UNIT:mm

NEW

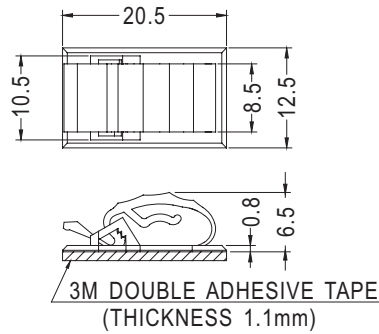


PART NO	PACKAGE
WCC-1S	1000

WIRE MOUNT

PLASTECH

- MATERIAL:NYLON 66 (UL)
- FLAME CLASS :94V-2
- COLOR:BLACK
- UNIT:mm



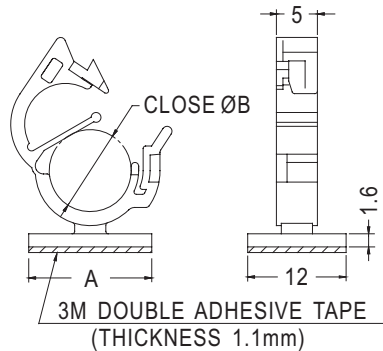
PART NO	PACKAGE
WCA-1	1000

4

WIRE MOUNT

PLASTECH

- MATERIAL:NYLON 66 (UL)
- FLAME CLASS :94V-2
- COLOR:NATURAL
- UNIT:mm



PART NO	A	CLOSE(B)	PACKAGE
CHO-7.6	15	7.6	500
CHO-10	19	10.0	
CHO-12	20	12.0	