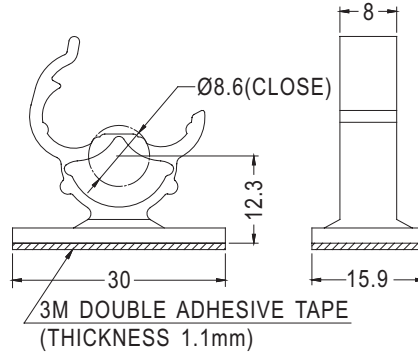


# WIRE MOUNT

PLASTECH

- MATERIAL: NYLON 66 (UL)
- FLAME CLASS :94V-2
- COLOR: WHITE/NATURAL
- UNIT: mm



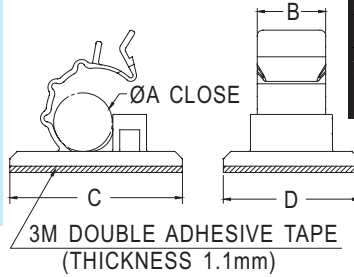
PART NO	PACKAGE
WSK-1	1000

# WIRE MOUNT

PLASTECH

4

- MATERIAL: NYLON 66 (UL)
- FLAME CLASS :94V-2
- COLOR: GRAY
- UNIT: mm

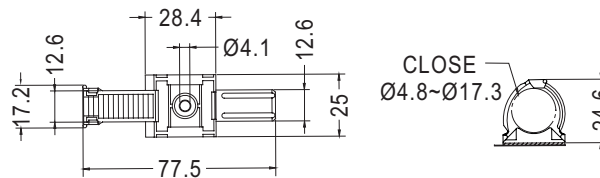


PART NO	A	B	C	D	PACKAGE
FWC-6	6.2	8.6	17.5	20.5	200
FWC-7	7.0	9.8	25.5	17.5	
FWC-10	10.3	12.0	30.3	23.9	
FWC-15	14.5	14.0	29.9	23.9	
★FWC-15S	10.0	12.0	30.0	21.0	
FWC-19	18.5	15.9	35.7	25.2	

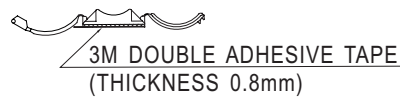
# WIRE MOUNT

PLASTECH

- MATERIAL: NYLON 66 (UL)
- FLAME CLASS: 94V-2
- COLOR: GRAY
- UNIT: mm



NEW



PART NO	PACKAGE
CWK-1	500