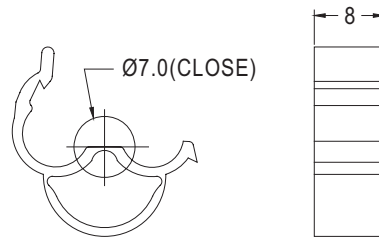


WIRE MOUNT

PLASTECH

- MATERIAL: NYLON 66 (UL)
- FLAME CLASS :94V-2
- COLOR: BLUE/NATURAL
- UNIT: mm

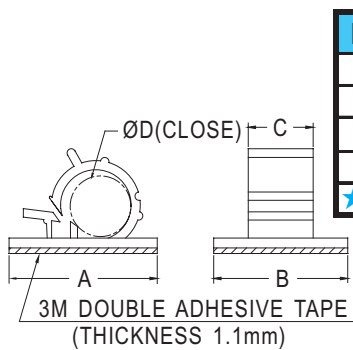
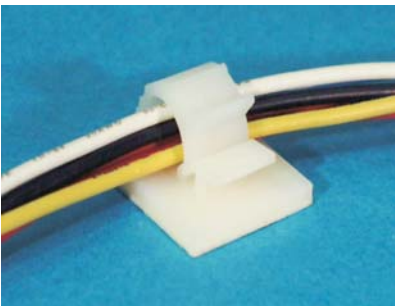


PART NO	PACKAGE
WAK-1	1000

WIRE MOUNT

PLASTECH

- MATERIAL: NYLON 66 (UL)
- FLAME CLASS :94V-2
- COLOR: NATURAL
- UNIT: mm



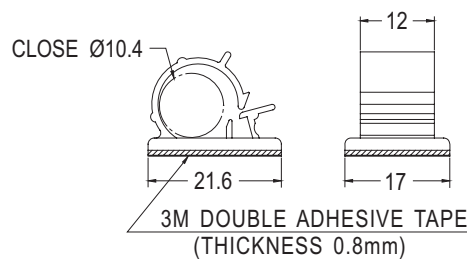
PART NO	A	B	C	D	PACKAGE
FWS-1	21.0	19.0	9.2	8.2	500
FWS-2	25.0	20.0	12.0	9.0	250
FWS-3	25.0	19.7	12.1	10.6	
FWS-4	29.0	20.0	14.0	12.6	
★FWS-7	29.6	19.5	14.8	19.4	

WIRE MOUNT

PLASTECH

- MATERIAL: NYLON 66 (UL)
- FLAME CLASS: 94V-2
- COLOR: NATURAL
- UNIT: mm

NEW



PART NO	PACKAGE
FWS-8	250