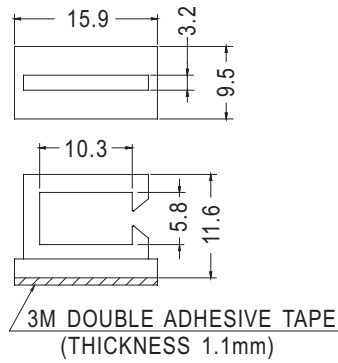
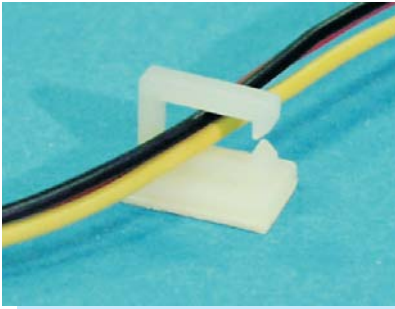


# WIRE MOUNT

**PLASTECH**

- MATERIAL: NYLON 66 (UL)
- FLAME CLASS :94V-2
- COLOR:NATURAL
- UNIT:mm



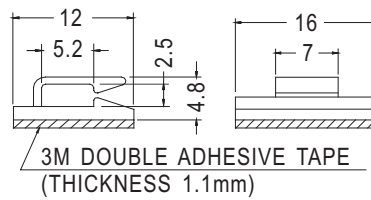
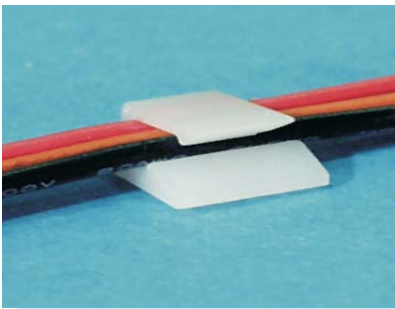
PART NO	PACKAGE
WSS-1	1000

# WIRE MOUNT

**PLASTECH**

4

- MATERIAL: NYLON 66 (UL)
- FLAME CLASS :94V-2
- COLOR:NATURAL
- UNIT:mm

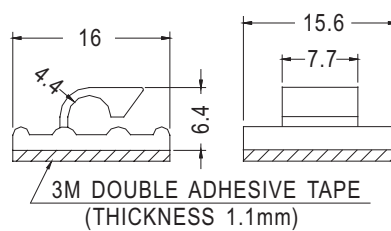


PART NO	PACKAGE
WC-4	1000

# WIRE MOUNT

**PLASTECH**

- MATERIAL: NYLON 66 (UL)
- FLAME CLASS :94V-2
- COLOR:NATURAL
- UNIT:mm



PART NO	PACKAGE
WC-5	1000