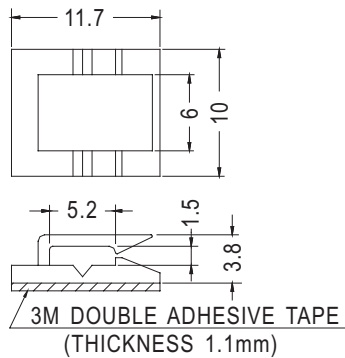
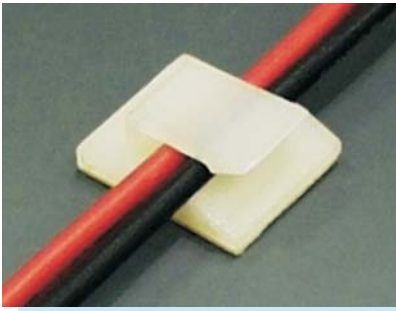


WIRE MOUNT

PLASTECH

- MATERIAL: NYLON 66 (UL)
- FLAME CLASS :94V-2
- COLOR:NATURAL
- UNIT:mm

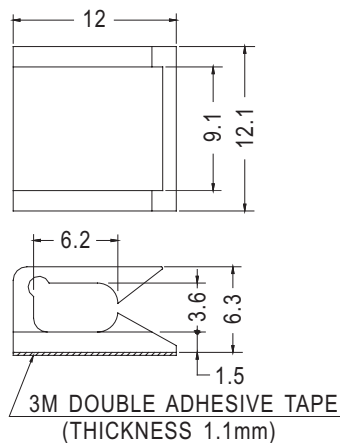


PART NO	PACKAGE
WCLA-1	1000

WIRE MOUNT

PLASTECH

- MATERIAL: NYLON 66 (UL)
- FLAME CLASS :94V-2
- COLOR:NATURAL
- UNIT:mm

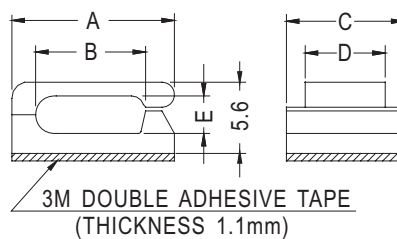
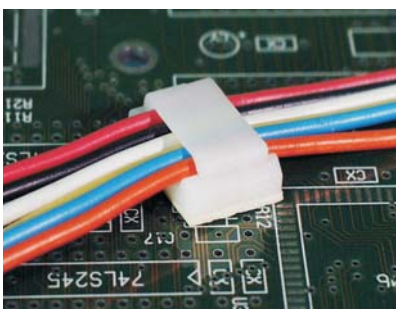


PART NO	PACKAGE
WSB-1	1000

WIRE MOUNT

PLASTECH

- MATERIAL: NYLON 66 (UL)
- FLAME CLASS :94V-2
- COLOR:NATURAL
- UNIT:mm



PART NO	A	B	C	D	E	PACKAGE
MWS-2	13.0	8.5	9.2	6.3	3.0	1000
MWS-3	16.0	11.5	13.0	9.0	2.9	