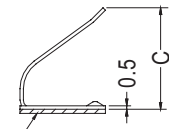
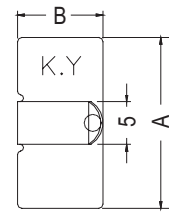
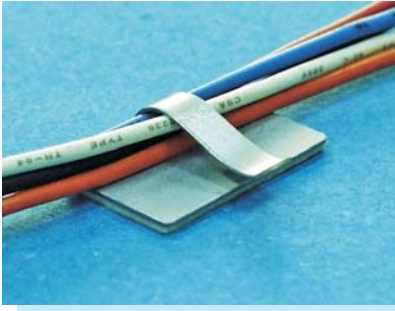


WIRE MOUNT

PLASTECH

- MATERIAL:STEEL
- UNIT:mm



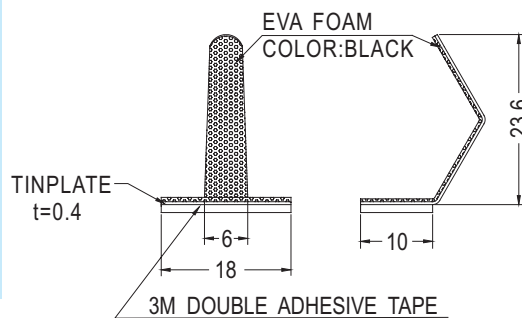
3M DOUBLE ADHESIVE TAPE
(THICKNESS 1.1mm)

PART NO	A	B	C	PACKAGE
WCM-1	20.0	10.0	11.6	1000
WCM-2	25.0	15.0	17.1	500

WIRE MOUNT

PLASTECH

- MATERIAL:TINPLATE
- UNIT:mm



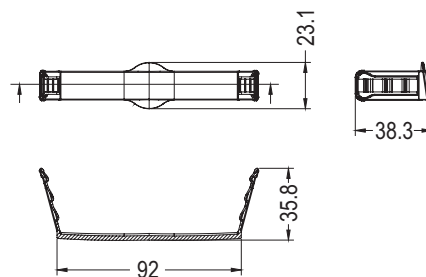
NEW

PART NO	PACKAGE
WCM-5L	1000

WIRE MOUNT

PLASTECH

- MATERIAL:NYLON 66 (UL)
- FLAME CLASS :94V-2
- COLOR:BLACK
- UNIT:mm



NEW

PART NO	PACKAGE
CAMG-2	100