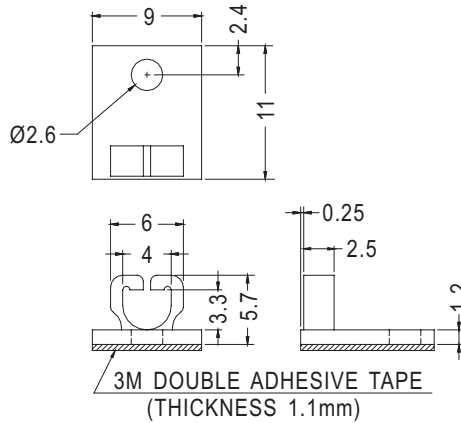


# CABLE CLIP

PLASTECH

- MATERIAL: NYLON 66 (UL)
- FLAME CLASS : 94V-2
- COLOR: NATURAL
- UNIT: mm



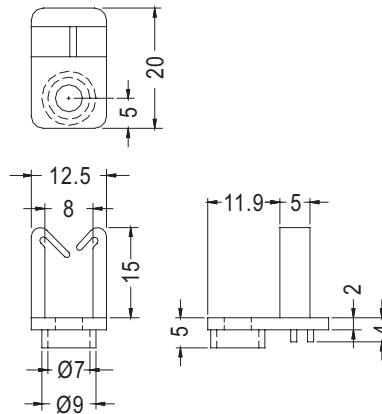
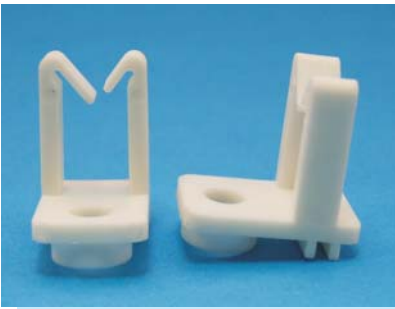
PART NO	PACKAGE
IMN-1	1000

# CABLE CLIP

PLASTECH

4

- MATERIAL: NYLON 66 (UL)
- FLAME CLASS : 94V-0/94V-2
- COLOR: NATURAL
- UNIT: mm

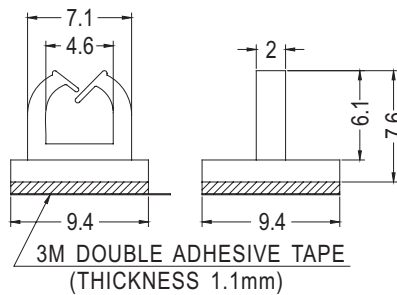


PART NO	PACKAGE
CHU-1	1000

# WIRE MOUNT

PLASTECH

- MATERIAL: NYLON 66 (UL)
- FLAME CLASS: 94V-0/94V-2
- COLOR: NATURAL
- UNIT: mm



NEW

PART NO	PACKAGE
WLL-6	1000