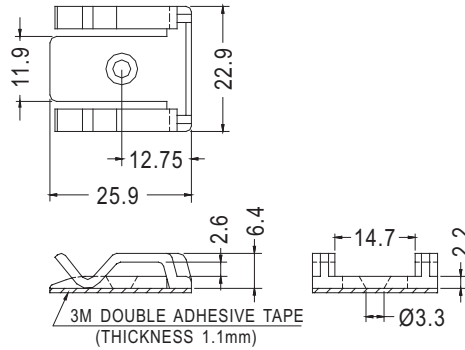
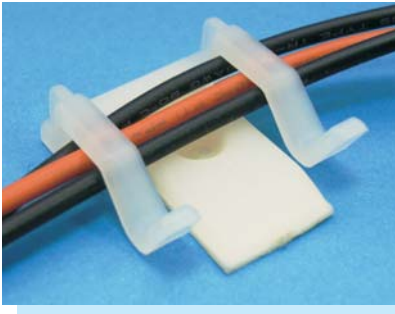


WIRE MOUNT

PLASTECH

- MATERIAL: NYLON 66 (UL)
- FLAME CLASS :94V-2
- COLOR:NATURAL
- UNIT:mm



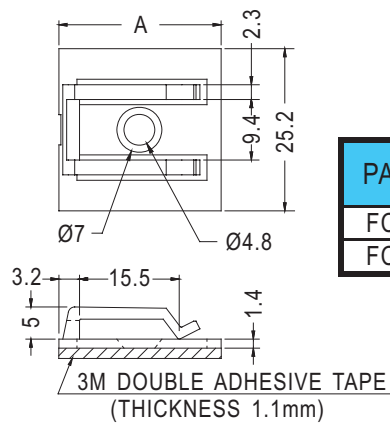
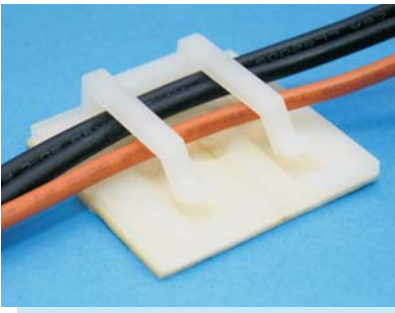
PART NO	PACKAGE
FCP-25	500

WIRE MOUNT

PLASTECH

4

- MATERIAL: NYLON 66 (UL)
- FLAME CLASS :94V-2
- COLOR:NATURAL
- UNIT:mm

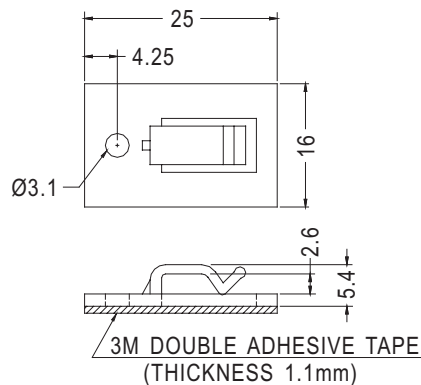
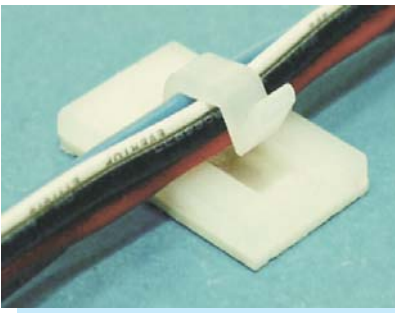


PART NO	A	DOUBLE ADHESIVE TAPE (THICKNESS)	PACKAGE
FCP-22	25.2	1.1mm	500
FCP-22SN	24.2	(NO)	

WIRE MOUNT

PLASTECH

- MATERIAL: NYLON 66 (UL)
- FLAME CLASS :94V-2
- COLOR:NATURAL/BLACK
- UNIT:mm



PART NO	PACKAGE
WCS-1	500