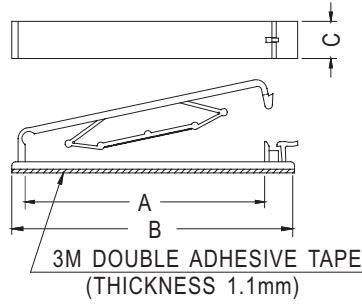


FLAT CABLE CLAMP

PLASTECH

- MATERIAL: NYLON 66 (UL)
- FLAME CLASS :94V-2
- COLOR:NATURAL
- UNIT:mm



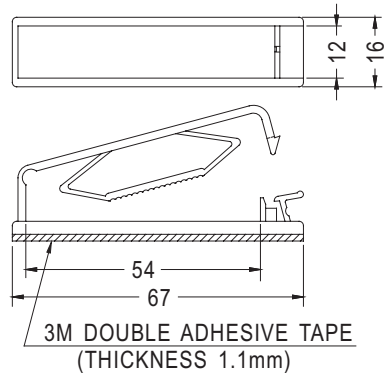
PART NO	A	B	C	SUITABLE CABLE	PACKAGE
FCB-40	53.8	65.0	10.2	40 PIN	200
FCB-50	64.5	77.0	10.0	50 PIN	100

FLAT CABLE CLAMP

PLASTECH

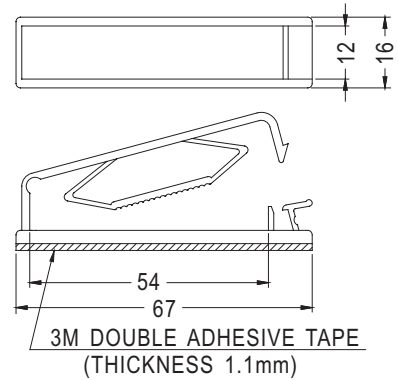
4

- MATERIAL: NYLON 66 (UL)
- FLAME CLASS :94V-2
- COLOR:NATURAL
- UNIT:mm



SUITABLE CABLE: 40 PIN

PART NO	PACKAGE
FCB-40MT	100



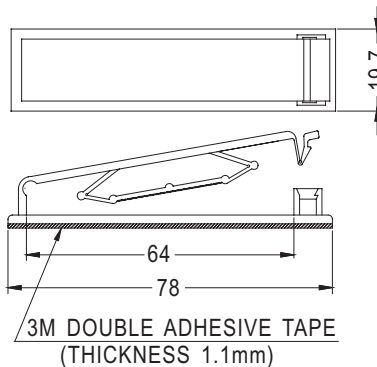
SUITABLE CABLE: 40 PIN

PART NO	PACKAGE
FCB-40M	100

FLAT CABLE CLAMP

PLASTECH

- MATERIAL: NYLON 66 (UL)
- FLAME CLASS :94V-2
- COLOR:NATURAL
- UNIT:mm



SUITABLE CABLE: 50 PIN

PART NO	PACKAGE
FCB-1	100