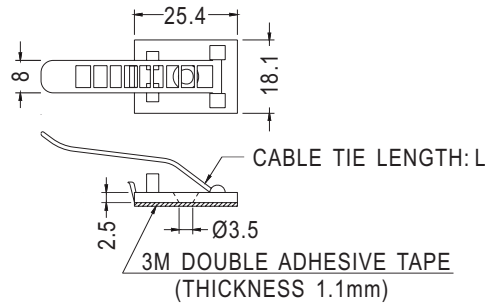
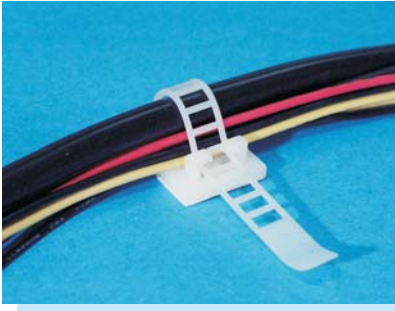
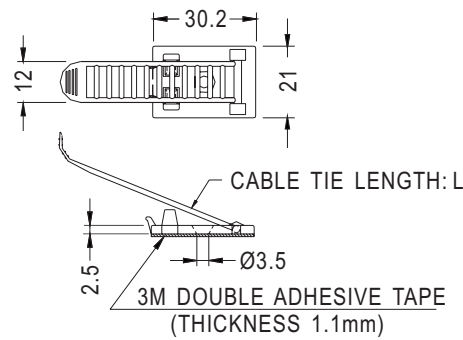


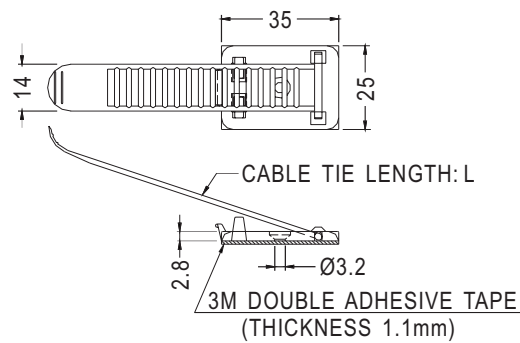
- MATERIAL: NYLON 66 (UL)
- FLAME CLASS :94V-2
- COLOR:NATURAL
- UNIT:mm



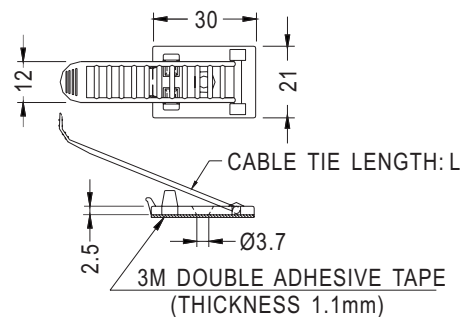
PART NO	L	PACKAGE
CL-1	64.2	200
CL-2	85.0	



PART NO	L	PACKAGE
CL-5	91.0	100



PART NO	L	PACKAGE
CL-3	88.3	200
CL-4	127.0	100



NEW

PART NO	L	PACKAGE
CL-6	117.0	100