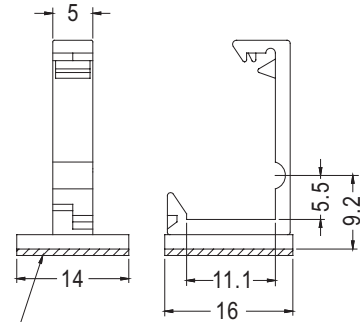


WIRE MOUNT

PLASTECH

- MATERIAL: NYLON 66 (UL)
- FLAME CLASS :94V-2
- COLOR:NATURAL
- UNIT:mm



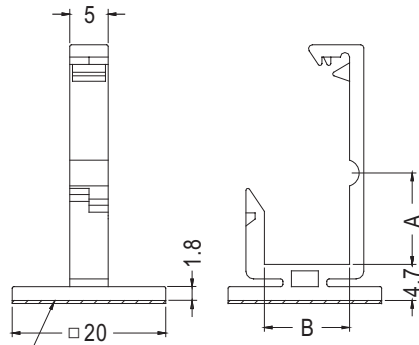
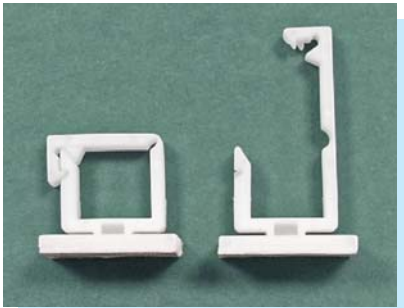
3M DOUBLE ADHESIVE TAPE
(THICKNESS 0.8mm)

PART NO	PACKAGE
WLN-1S	500

WIRE MOUNT

PLASTECH

- MATERIAL: NYLON 66 (UL)
- FLAME CLASS :94V-2
- COLOR:NATURAL
- UNIT:mm



3M DOUBLE ADHESIVE TAPE
(THICKNESS 0.8mm)

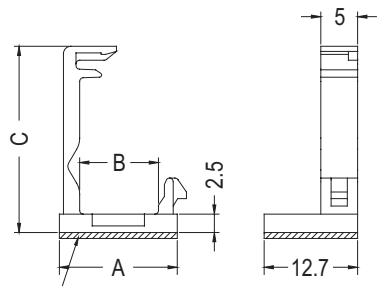
PART NO	A	B	PACKAGE
WLN-1	6.7	11.1	500
WLN-2	11.9	11.1	
WLN-3	15.7	15.7	

4

WIRE MOUNT

PLASTECH

- MATERIAL: NYLON 66 (UL)
- FLAME CLASS:94V-2
- COLOR:NATURAL
- UNIT:mm



3M DOUBLE ADHESIVE TAPE
(THICKNESS 1.1mm)

NEW

PART NO	A	B	C	PACKAGE
WLT-1	16.0	10.7	25.3	500
WLT-2	21.6	16.3	36.1	