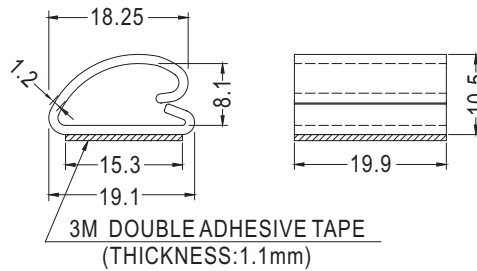


- MATERIAL: NYLON 66 (UL)
- FLAME CLASS :94V-2
- COLOR:NATURAL
- UNIT:mm

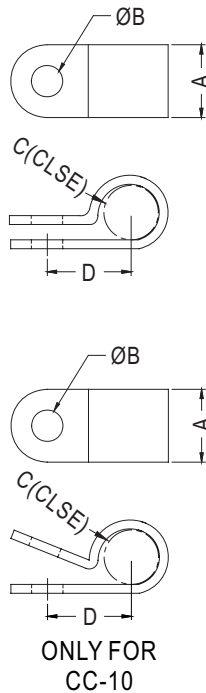
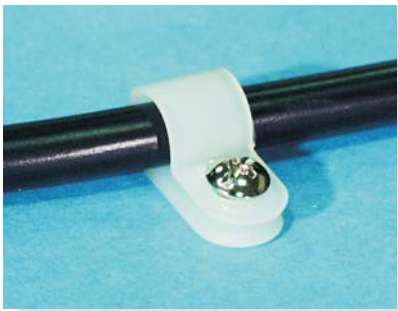


PART NO	PACKAGE
WUD-1	1000

CABLE CLAMP

- MATERIAL: NYLON 66 (UL)
- FLAME CLASS :94V-2
- COLOR:NATURAL/BLACK
- UNIT:mm

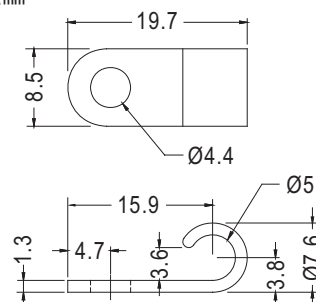
4



PART NO	A	B	C		D	PACKAGE
			mm	inch		
CC-1SS	6.5	3.8	3.0	1/8	6.8	1000
CC-1S	9.2	5.4	3.0	1/8	8.2	
CC-1	13.2	5.4	3.0	1/8	8.9	
CC-2	9.7	5.4	4.5	3/16	10.2	
CC-3	9.5	4.8	6.2	1/4	10.2	
CC-4	9.5	4.8	7.6	5/16	10.5	500
CC-5	9.5	4.8	9.0	3/8	12.4	
CC-5L	12.3	5.4	9.0	3/8	13.2	
CC-6	12.7	4.8	11.5	1/2	14.7	200
CC-7	12.9	5.4	12.8	9/16	16.0	
CC-7S	12.9	4.8	15.5	5/8	16.7	100
CC-8	12.9	5.4	17.0	3/4	20.2	
CC-9	12.9	5.4	20.0	7/8	21.2	1000
CC-10	12.9	5.4	24~27	1-1/8	23.5	
CC-12	9.9	4.4	3.0	1/8	8.5	
CC-13	9.5	3.2	8.3	5/16	12.0	
CC-14	6.3	3.7	3.5	1/7	6.4	
CC-15	9.6	4.4	5.6	1/4	12.1	
CC-16	11.6	6.4	5.6	1/4	12.1	
CC-17	10.0	4.2	5.0	1/4	9.5	
CC-18	10.0	4.2	11.0	7/16	13.0	
CC-19	9.9	4.4	4.5	3/16	7.75	
CC-20	10.0	4.3	6.5	1/4	9.9	
★ CC-24	9.6	4.4	5.6	1/4	7.5	

CABLE CLAMP

- MATERIAL: NYLON 66 (UL)
- FLAME CLASS :94V-2
- COLOR:NATURAL
- UNIT:mm



PART NO	PACKAGE
CD-5	500