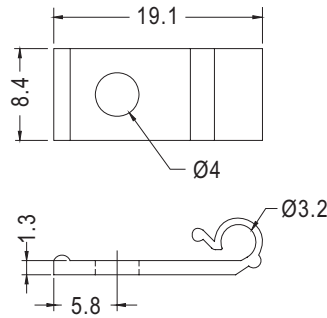


# WIRE MOUNT

PLASTECH

- MATERIAL: NYLON 66 (UL)
- FLAME CLASS :94V-2
- COLOR:NATURAL
- UNIT:mm

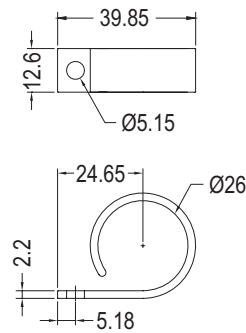


PART NO	PACKAGE
CDV-3.2	1000

# WIRE MOUNT

PLASTECH

- MATERIAL: NYLON 66 (UL)
- FLAME CLASS:94V-2
- COLOR:NATURAL
- UNIT:mm



NEW

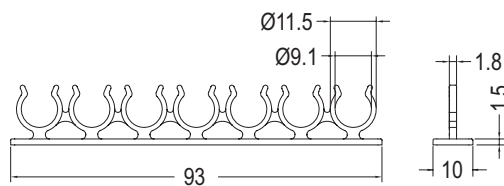
PART NO	PACKAGE
CD-26	200

4

# PLUG MOUNT

PLASTECH

- MATERIAL: PP
- COLOR:NATURAL/BLACK
- UNIT:mm



NEW

PART NO	PACKAGE
JETM-7	100