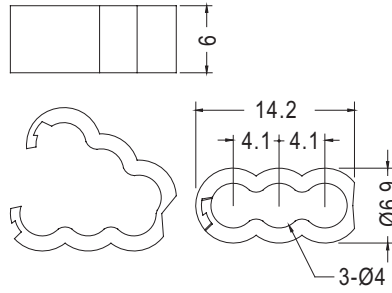


WIRE MOUNT

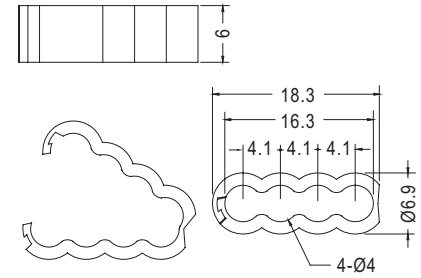
PLASTECH

- MATERIAL: NYLON 66 (UL)
- FLAME CLASS :94V-2
- COLOR:BLACK
- UNIT:mm



UNIT FOLDED VIEW

PART NO	PACKAGE
3WC-4	1000



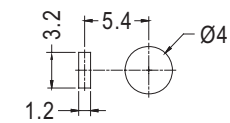
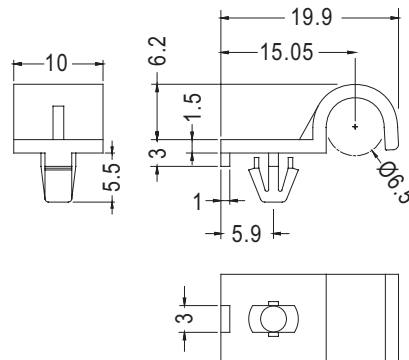
UNIT FOLDED VIEW

PART NO	PACKAGE
4WC-4	1000

WIRE MOUNT

PLASTECH

- MATERIAL: NYLON 66 (UL)
- FLAME CLASS :94V-2
- COLOR:NATURAL
- UNIT:mm



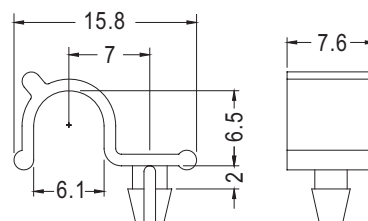
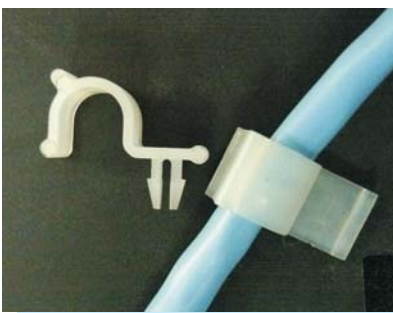
MOUNTING HOLES

PART NO	PACKAGE
CLH-6	500

WIRE MOUNT

PLASTECH

- MATERIAL: NYLON 66 (UL)
- FLAME CLASS :94V-2
- COLOR:NATURAL
- UNIT:mm



CHASSIS Ø3.2
THICKNESS 1.6

PART NO	PACKAGE
CLI-6	2000