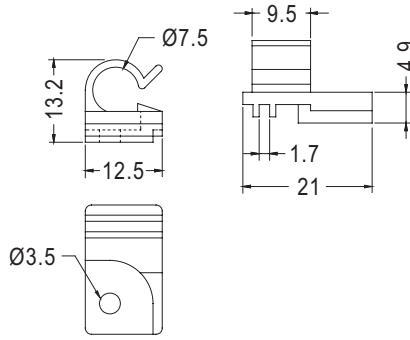


WIRE MOUNT

PLASTECH



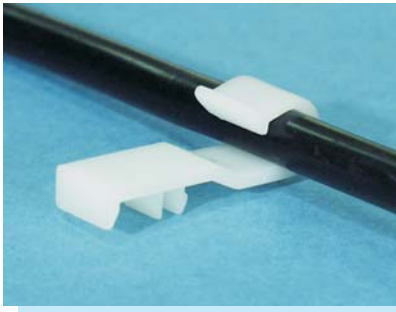
- MATERIAL: NYLON 66 (UL)
- FLAME CLASS :94V-2
- COLOR:NATURAL
- UNIT:mm



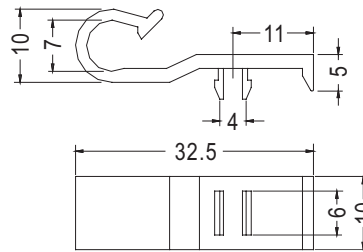
PART NO	PACKAGE
WCL-3	500

WIRE MOUNT

PLASTECH



- MATERIAL: NYLON 66 (UL)
- FLAME CLASS :94V-2
- COLOR:NATURAL
- UNIT:mm



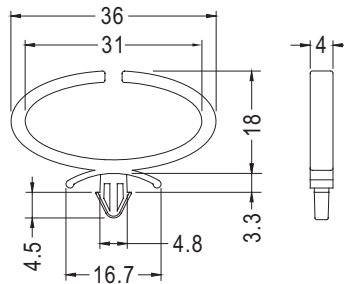
PART NO	PACKAGE
WCL-2	500

WIRE MOUNT

PLASTECH



- MATERIAL: NYLON 66 (UL)
- FLAME CLASS :94V-2
- COLOR:BLACK/NATURAL
- UNIT:mm



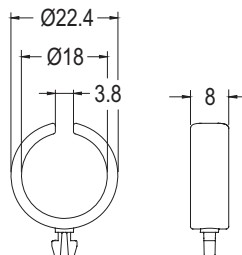
PART NO	PACKAGE
WUCD-36	100

WIRE HOLDER

PLASTECH



- MATERIAL: NYLON 66 (UL)
- FLAME CLASS :94V-2
- COLOR:NATURAL
- UNIT:mm



NEW

PART NO	PACKAGE
THCC-1	500