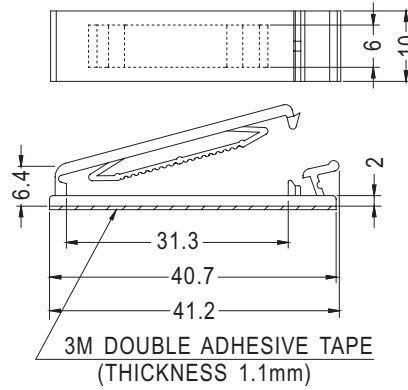


# FLAT CABLE CLAMP

PLASTECH

- MATERIAL: NYLON 66 (UL)
- FLAME CLASS :94V-2
- COLOR: NATURAL
- UNIT: mm

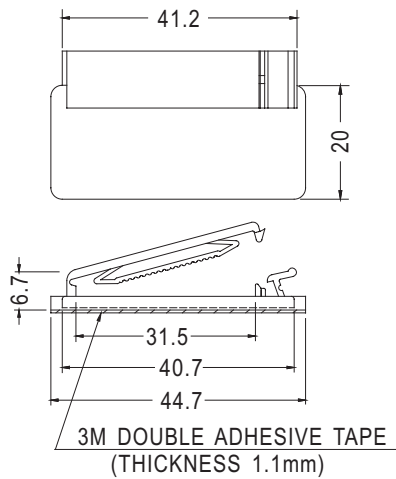
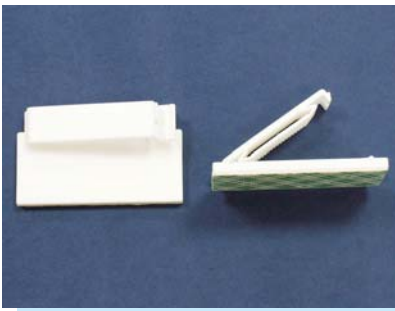


PART NO	PACKAGE
FCI-1	200

# FLAT CABLE CLAMP

PLASTECH

- MATERIAL: NYLON 66 (UL)
- FLAME CLASS :94V-2
- COLOR: NATURAL
- UNIT: mm

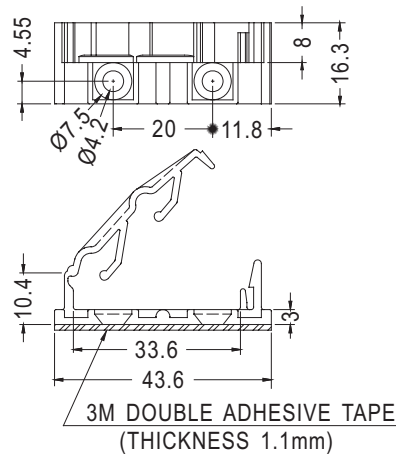


PART NO	PACKAGE
FCI-2	100

# FLAT CABLE CLAMP

PLASTECH

- MATERIAL: NYLON 66 (UL)
- FLAME CLASS :94V-2
- COLOR: NATURAL
- UNIT: mm



PART NO	PACKAGE
FCL-33	200