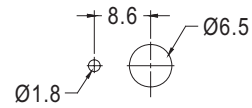
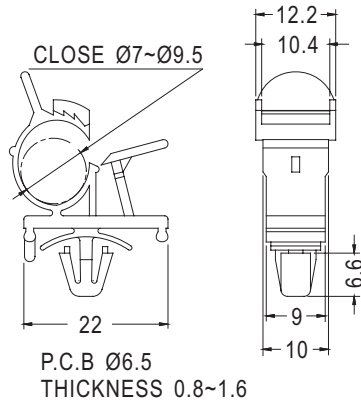


WIRE MOUNT

PLASTECH

- MATERIAL:NYLON 66 (UL)
- FLAME CLASS :94V-2
- COLOR:NATURAL
- UNIT:mm



MOUNTING HOLES

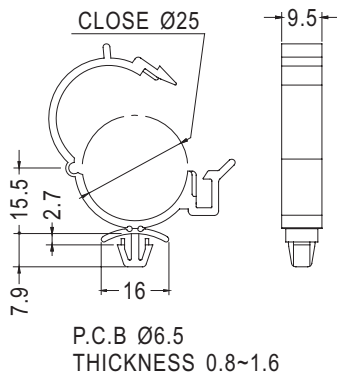
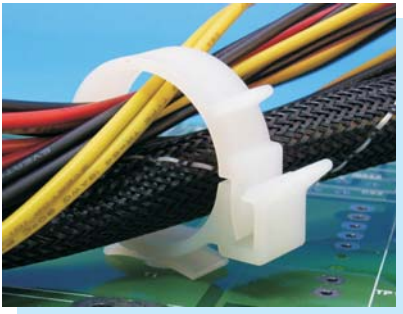
PART NO	PACKAGE
AWK-10	2000

WIRE MOUNT

PLASTECH

4

- MATERIAL:NYLON 66 (UL)
- FLAME CLASS :94V-2
- COLOR:NATURAL
- UNIT:mm

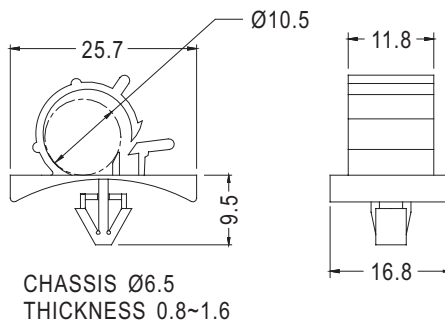
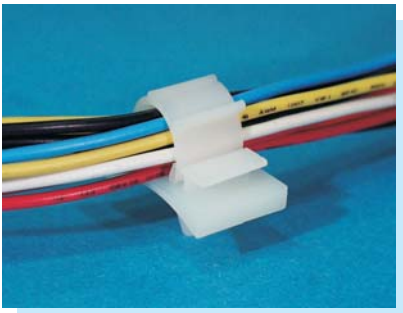


PART NO	PACKAGE
FWT-25	1000

WIRE MOUNT

PLASTECH

- MATERIAL:NYLON 66 (UL)
- FLAME CLASS :94V-2
- COLOR:NATURAL
- UNIT:mm



PART NO	PACKAGE
WL-1	500