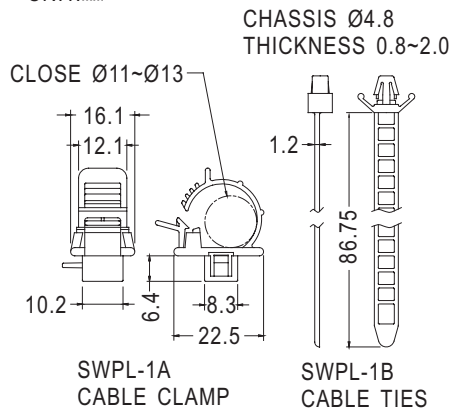
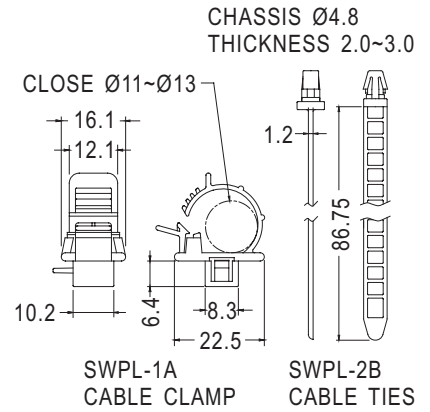


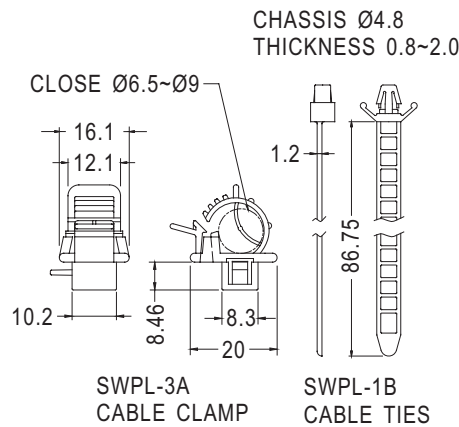
- MATERIAL: NYLON 66 (UL)
- FLAME CLASS :94V-2
- COLOR:BLACK
- UNIT:mm



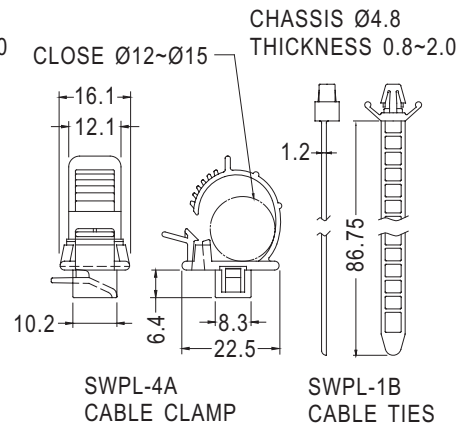
PART NO	PACKAGE
SWPL-1	100



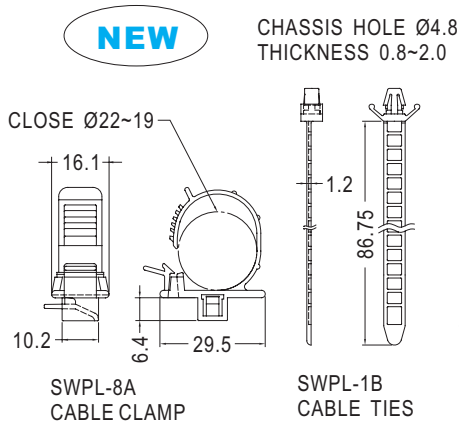
PART NO	PACKAGE
SWPL-2	100



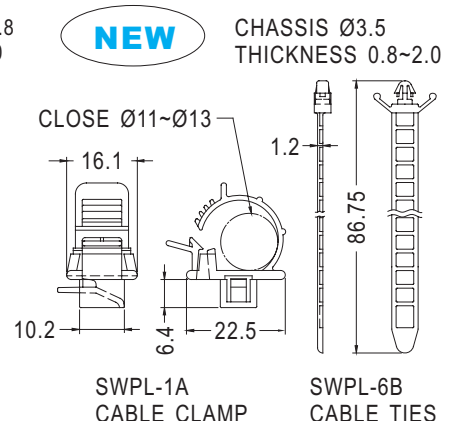
PART NO	PACKAGE
SWPL-3	100



PART NO	PACKAGE
SWPL-4	100



PART NO	PACKAGE
SWPL-8	100



PART NO	PACKAGE
SWPL-6	100