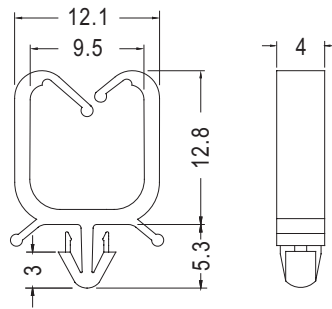


WIRE MOUNT

PLASTECH

- MATERIAL: NYLON 66 (UL)
- FLAME CLASS :94V-2
- COLOR: WHITE/NATURAL
- UNIT:mm



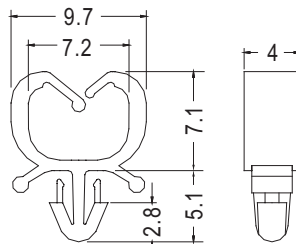
P.C.B Ø3.5
THICKNESS 0.6~1.6

PART NO	PACKAGE
MWC-10	2000

WIRE MOUNT

PLASTECH

- MATERIAL: NYLON 66 (UL)
- FLAME CLASS :94V-2
- COLOR: NATURAL/WHITE
- UNIT:mm



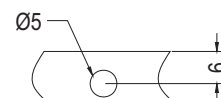
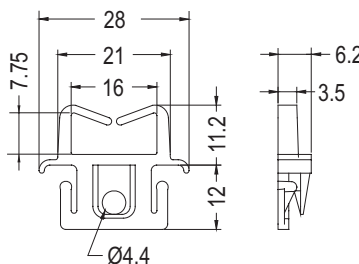
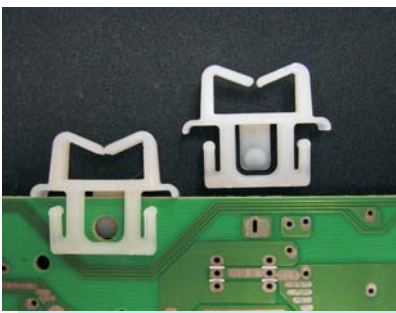
P.C.B Ø3.0
THICKNESS 0.6~1.6

PART NO	PACKAGE
MWC-6	2000

WIRE MOUNT

PLASTECH

- MATERIAL: NYLON 66 (UL)
- FLAME CLASS:94V-2
- COLOR: NATURAL
- UNIT:mm



PANEL THICKNESS 1.0~2.0
MOUNTING DETAIL

NEW

PART NO	PACKAGE
EDGE-1	500