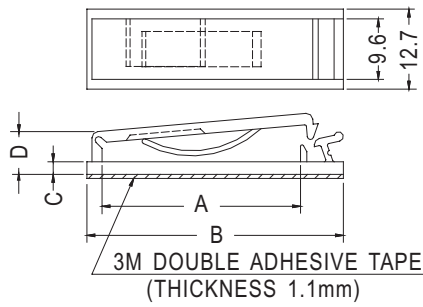


FLAT CABLE CLAMP

PLASTECH

- MATERIAL: NYLON 66 (UL)
- FLAME CLASS :94V-2
- COLOR:NATURAL
- UNIT:mm

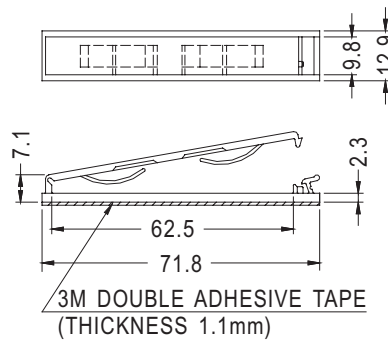


PART NO	A	B	C	D	PACKAGE
FCE-1	31.5	40.7	2.0	6.8	200
FCE-2	52.0	61.2	2.1	6.9	100

FLAT CABLE CLAMP

PLASTECH

- MATERIAL: NYLON 66 (UL)
- FLAME CLASS :94V-2
- COLOR:NATURAL
- UNIT:mm

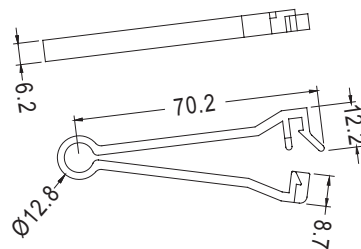
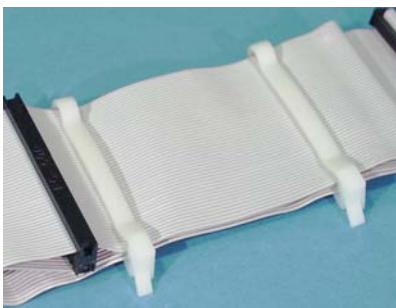


PART NO	PACKAGE
FCE-3	100

FLAT CABLE CLAMP

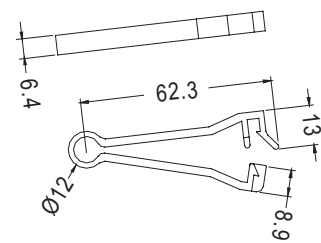
PLASTECH

- MATERIAL: NYLON 66 (UL)
- FLAME CLASS :94V-2
- COLOR:NATURAL
- UNIT:mm



SUITABLE CABLE: 40 PIN

PART NO	PACKAGE
FCE-40	100



SUITABLE CABLE: 30 PIN

PART NO	PACKAGE
FCE-30	100