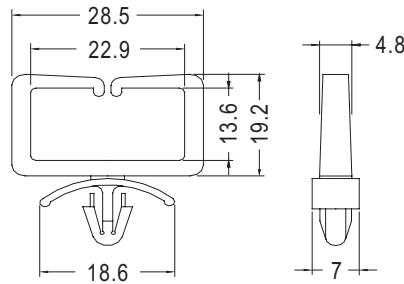


# WIRE HOLDER

PLASTECH

- MATERIAL: NYLON 66 (UL)
- FLAME CLASS :94V-2
- COLOR:NATURAL
- UNIT:mm



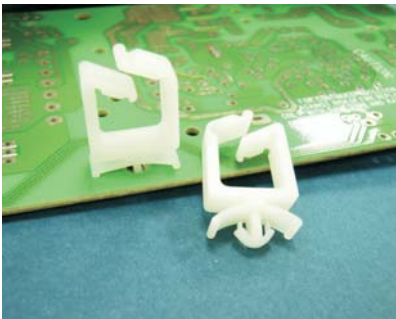
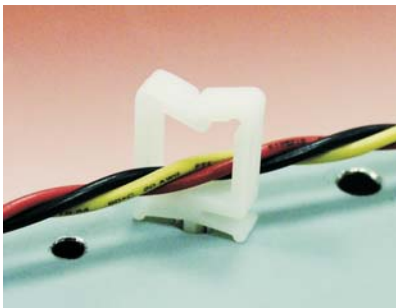
CHASSIS Ø4.8~Ø5.0  
THICKNESS 0.8~4.0

PART NO	PACKAGE
CHE-1	500

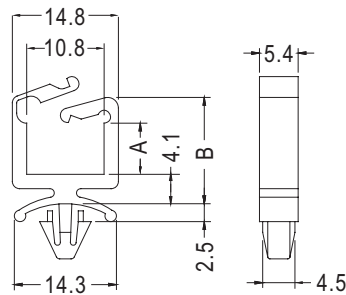
# WIRE MOUNT

PLASTECH

4



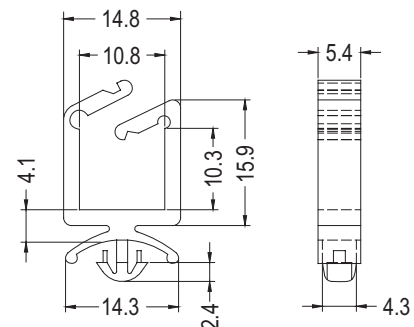
- MATERIAL: NYLON 66 (UL)
- FLAME CLASS :94V-2
- COLOR:NATURAL
- UNIT:mm



CHASSIS Ø4.8~Ø5.0  
THICKNESS 0.5~2.0

PART NO	A	B	PACKAGE
CH-10	10.3	18.0	500
CH-19	19.6	27.2	

NEW



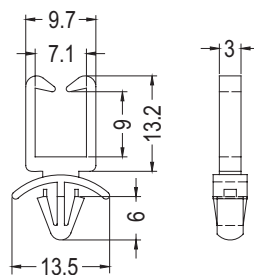
CHASSIS Ø4.9  
THICKNESS 0.8~1.6

PART NO	PACKAGE
CH-11	500

# WIRE MOUNT

PLASTECH

- MATERIAL: NYLON 66 (UL)
- FLAME CLASS:94V-2
- COLOR:NATURAL
- UNIT:mm



CHASSIS Ø4.8  
THICKNESS 0.8~1.6

NEW

PART NO	PACKAGE
CHAD-1	1000