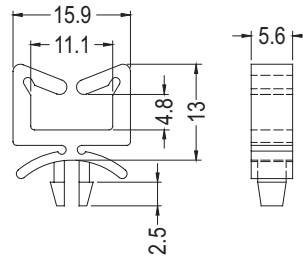


WIRE MOUNT

PLASTECH

- MATERIAL: NYLON 66 (UL)
- FLAME CLASS: 94V-2
- COLOR: NATURAL
- UNIT: mm



CHASSIS Ø4.8
THICKNESS 0.8~1.6

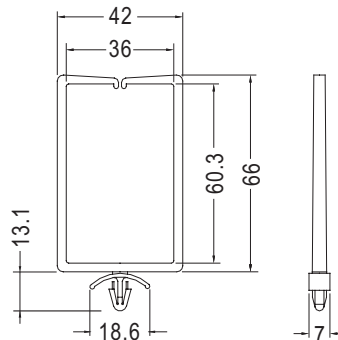
NEW

PART NO	PACKAGE
CHAE-1	1000

WIRE HOLDER

PLASTECH

- MATERIAL: NYLON 66 (UL)
- FLAME CLASS: 94V-2
- COLOR: NATURAL/BLACK
- UNIT: mm



CHASSIS Ø4.8~Ø5.0
THICKNESS 0.8~4.0

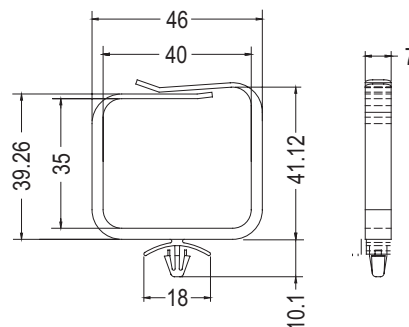
PART NO	PACKAGE
CHE-2	100

4

WIRE MOUNT

PLASTECH

- MATERIAL: NYLON 66 (UL)
- FLAME CLASS: 94V-2
- COLOR: BLACK/NATURAL
- UNIT: mm



CHASSIS Ø4.8
THICKNESS 0.8~2.0

NEW

PART NO	PACKAGE
CHD35-40	2000