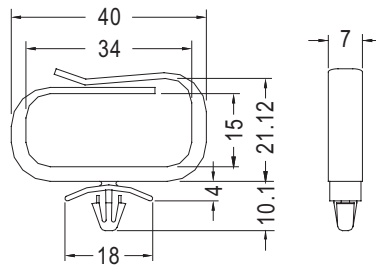


HARNESS CLIP STANDOFF

PLASTECH

- MATERIAL: NYLON 66 (UL)
- FLAME CLASS :94V-2
- COLOR: BLACK/NATURAL
- UNIT: mm



CHASSIS Ø4.8
THICKNESS 0.8~2.0

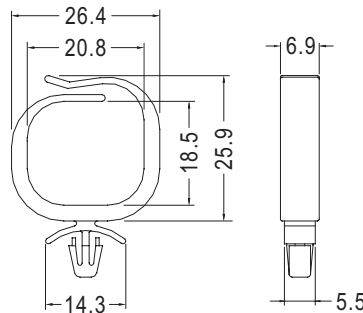
PART NO	PACKAGE
CHD15-34	250

HARNESS CLIP STANDOFF

PLASTECH

4

- MATERIAL: NYLON 66 (UL)
- FLAME CLASS :94V-2
- COLOR: NATURAL
- UNIT: mm



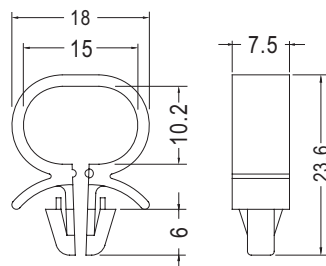
CHASSIS Ø4.8~Ø5.0
THICKNESS 0.8~2.0

PART NO	PACKAGE
CHD-18	250

WIRE HOLDER

PLASTECH

- MATERIAL: NYLON 66 (UL)
- FLAME CLASS :94V-2
- COLOR: BLACK/NATURAL
- UNIT: mm



CHASSIS Ø6.0~Ø6.5
THICKNESS 0.8~2.5

PART NO	PACKAGE
OCCB-15	500