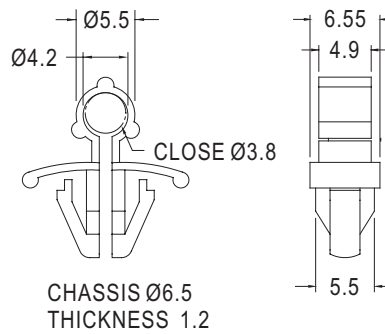


WIRE HOLDER

PLASTECH

- MATERIAL: NYLON 66 (UL)
- FLAME CLASS :94V-2
- COLOR:NATURAL
- UNIT:mm

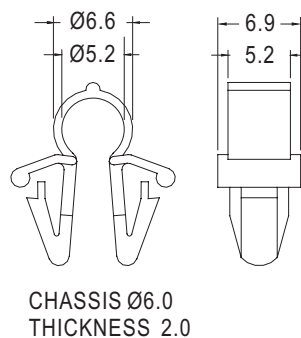


PART NO	PACKAGE
OCC-4	500

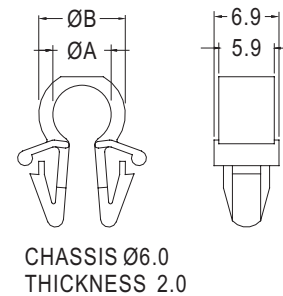
WIRE HOLDER

PLASTECH

- MATERIAL: NYLON 66 (UL)
- FLAME CLASS :94V-2
- COLOR:NATURAL
- UNIT:mm



PART NO	PACKAGE
OCC-5	1000

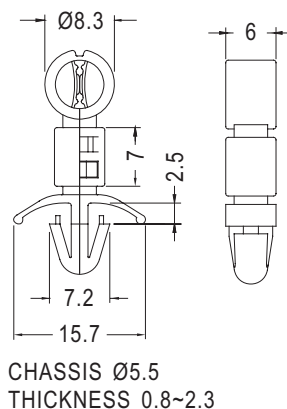


PART NO	A	B	PACKAGE
OCC-6	6.2	9.2	1000
OCC-8	8.2	11.2	500
OCC-10	10.2	13.2	

WIRE MOUNT

PLASTECH

- MATERIAL: NYLON 66 (UL)
- FLAME CLASS :94V-2
- COLOR:NATURAL
- UNIT:mm



PART NO	PACKAGE
OCSH-14	500