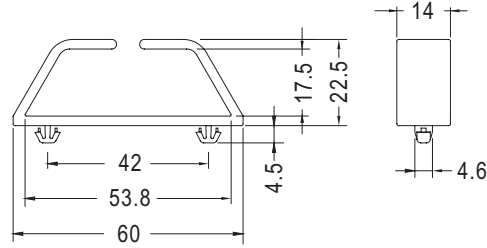


WIRE MOUNT

PLASTECH

- MATERIAL: NYLON 66 (UL)
- FLAME CLASS :94V-2
- COLOR:BLACK/NATURAL
- UNIT:mm



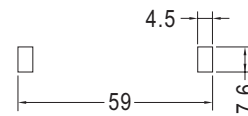
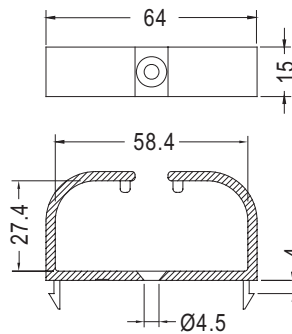
CHASSIS Ø4.8
THICKNESS 1.5

PART NO	PACKAGE
CHT-42	100

WIRE MOUNT

PLASTECH

- MATERIAL:PP (UL)
- FLAME CLASS :94HB
- COLOR:COMPUTER/BLACK
- UNIT:mm



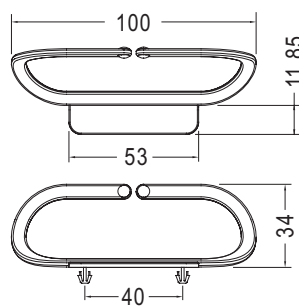
MOUNTING HOLE

PART NO	PACKAGE
CHV-59	100

WIRE MOUNT

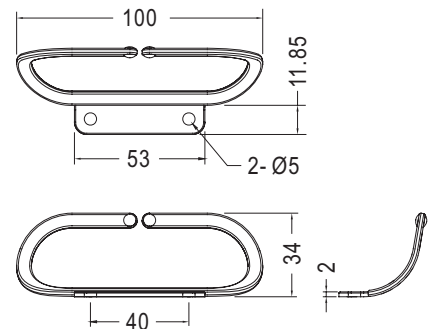
PLASTECH

- MATERIAL: PP (UL)
- FLAME CLASS :94HB
- COLOR:NATURAL
- UNIT:mm



P.C.B Ø4.0
THICKNESS 2.8

PART NO	PACKAGE
WUCD-100	100



PART NO	PACKAGE
WUCDF-100	100