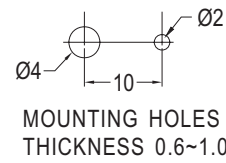
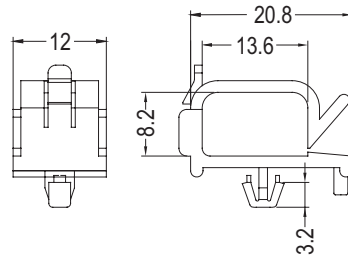
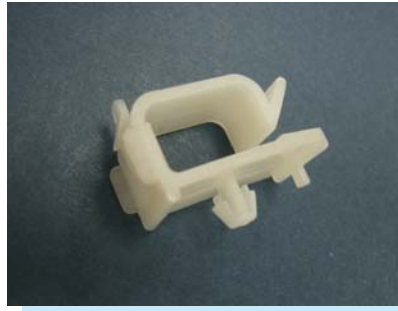


WIRE MOUNT

PLASTECH

- MATERIAL: NYLON 66 (UL)
- FLAME CLASS: 94V-2
- COLOR: NATURAL
- UNIT: mm



NEW

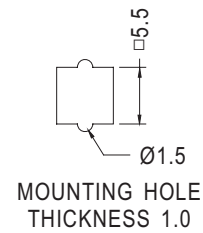
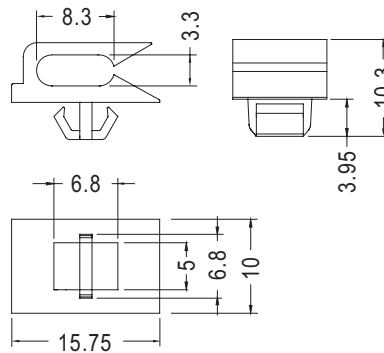
PART NO	PACKAGE
MIS-10	1000

HARNESS CLIP STANDOFF

PLASTECH

4

- MATERIAL: NYLON 66 (UL)
- FLAME CLASS :94V-2
- COLOR: NATURAL
- UNIT: mm

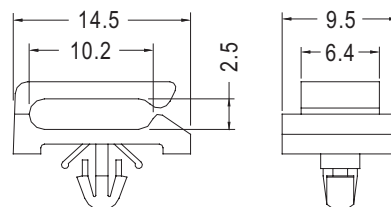


PART NO	PACKAGE
MIS-6	1000

HARNESS CLIP STANDOFF

PLASTECH

- MATERIAL: NYLON 66 (UL)
- FLAME CLASS :94V-2
- COLOR: NATURAL
- UNIT: mm



CHASSIS Ø3.0
THICKNESS 0.6~1.8

PART NO	PACKAGE
MIS-2	2000