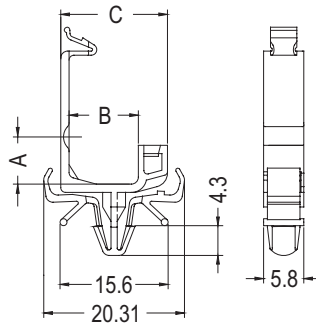


WIRE MOUNT

PLASTECH

- MATERIAL: NYLON 66 (UL)
- FLAME CLASS: 94V-0/94V-2
- COLOR: NATURAL
- UNIT: mm

NEW



PART NO	A	B	C	PACKAGE
CHWS-6	6.8	10.0	15.4	1000
CHWS-12	13.3	12.0	18.3	

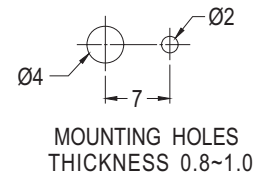
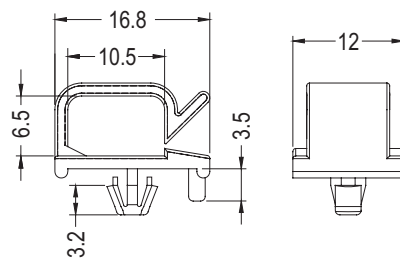
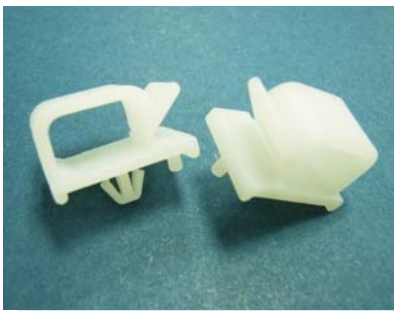
HARNESS CLIP STANDOFF

PLASTECH

4

- MATERIAL: NYLON 66 (UL)
- FLAME CLASS: 94V-2
- COLOR: NATURAL
- UNIT: mm

NEW



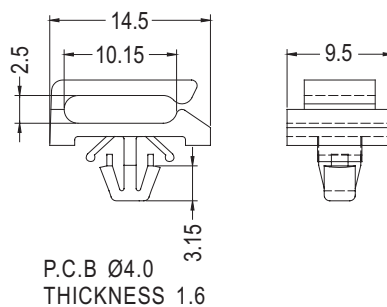
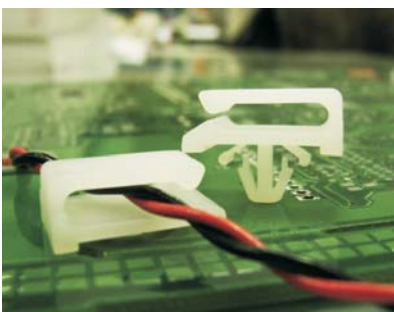
PART NO	PACKAGE
MIS-8	1000

HARNESS CLIP STANDOFF

PLASTECH

- MATERIAL: NYLON 66 (UL)
- FLAME CLASS: 94V-2
- COLOR: NATURAL
- UNIT: mm

NEW



PART NO	PACKAGE
MIS-9	1000