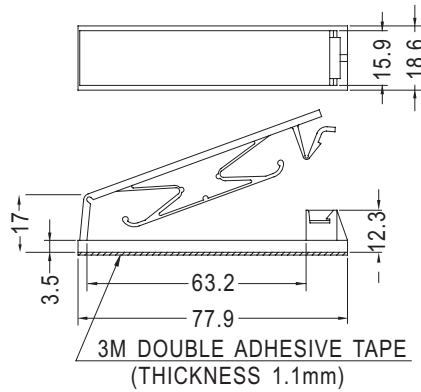
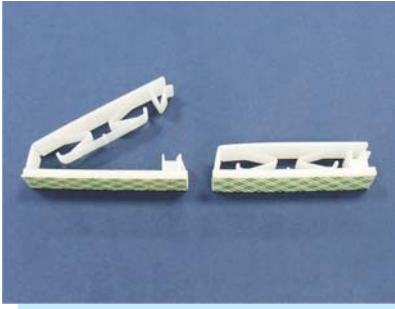


FLAT CABLE CLAMP

PLASTECH

- MATERIAL:NYLON 66 (UL)
- FLAME CLASS :94V-2
- COLOR:NATURAL
- UNIT:mm

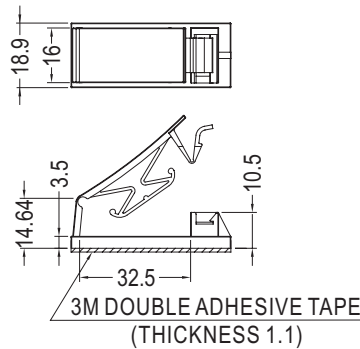
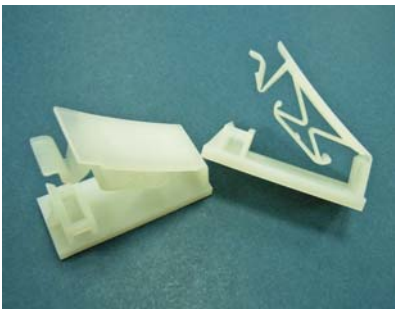


PART NO	PACKAGE
FCK-50	100

FLAT CABLE CLAMP

PLASTECH

- MATERIAL:NYLON 66 (UL)
- FLAME CLASS:94V-2
- COLOR:NATURAL
- UNIT:mm



NEW

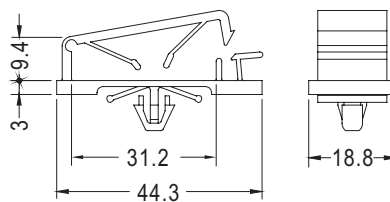
PART NO	PACKAGE
FCAM-1	100

4

WIRE MOUNT

PLASTECH

- MATERIAL:NYLON 66 (UL)
- FLAME CLASS :94V-2
- COLOR:NATURAL/BLACK
- UNIT:mm



CHASSIS Ø6.5
MAX. THICKNESS 2.2

PART NO	PACKAGE
FCJ-30	100