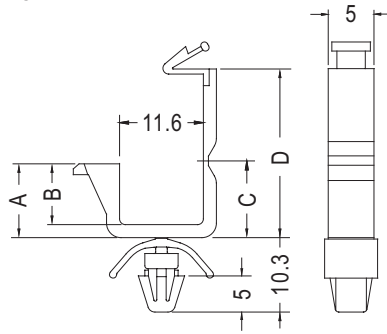


WIRE SADDLE

PLASTECH

- MATERIAL: NYLON 66 (UL)
- FLAME CLASS :94V-0/94V-2
- COLOR:NATURAL/WHITE
- UNIT:mm



CHASSIS Ø4.8
THICKNESS 0.8~3.5

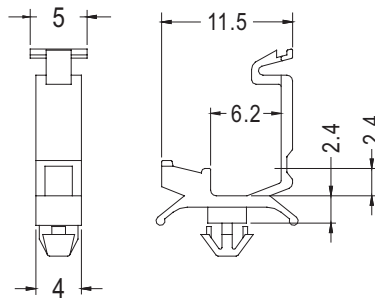
| PART NO | A | B | C | D | PACKAGE |
|---------|------|------|------|------|---------|
| CHK-6 | 7.0 | 5.2 | 7.2 | 21.2 | 1000 |
| CHK-12 | 14.2 | 12.4 | 14.6 | 28.7 | |

WIRE SADDLE

PLASTECH

4

- MATERIAL: NYLON 66 (UL)
- FLAME CLASS :94V-2/94V-0
- COLOR:NATURAL/WHITE
- UNIT:mm



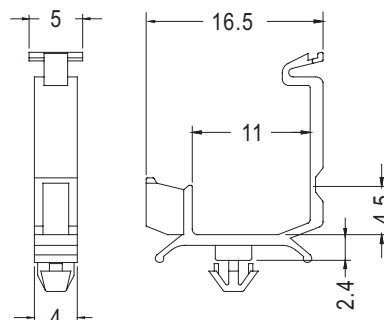
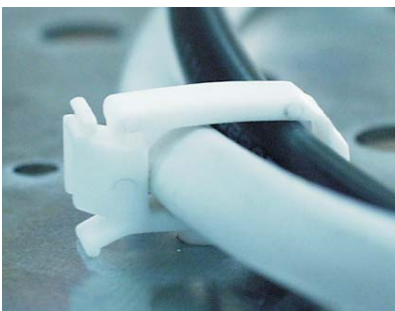
CHASSIS Ø3.5
THICKNESS 0.8~2.2

| PART NO | PACKAGE |
|---------|---------|
| CHI-3 | 1000 |

WIRE SADDLE

PLASTECH

- MATERIAL: NYLON 66 (UL)
- FLAME CLASS :94V-2
- COLOR:NATURAL
- UNIT:mm



CHASSIS Ø3.5
THICKNESS 0.5~1.8

| PART NO | PACKAGE |
|---------|---------|
| CHI-6 | 1000 |