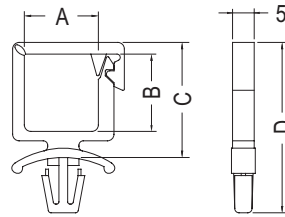


WIRE MOUNT

PLASTECH

- MATERIAL: NYLON 66 (UL)
- FLAME CLASS :94V-2/94V-0
- COLOR:NATURAL/BLACK
- UNIT:mm



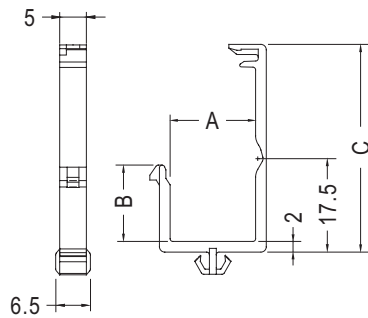
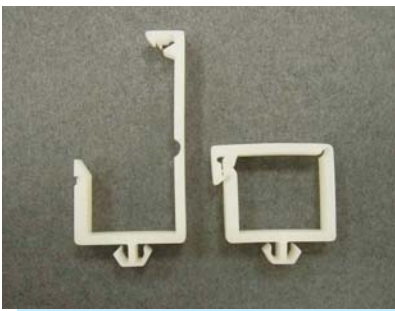
CHASSIS Ø4.8
THICKNESS 0.8~2.0

PART NO	A	B	C	D	PACKAGE
CH-1	11.0	11.2	16.6	24.0	500

WIRE SADDLE

PLASTECH

- ◆ MATERIAL: NYLON 66 (UL)
- ◆ FLAME CLASS :94V-2
- ◆ COLOR:NATURAL
- ◆ UNIT:mm



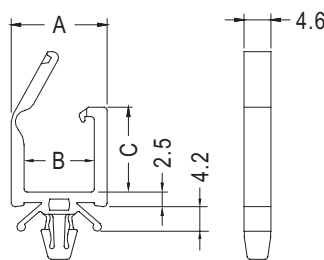
Ø1.5
□5.5
MOUNTING HOLE
THICKNESS 1.0

PART NO	A	B	C	PACKAGE
CHAC-1	16.0	14.0	39.5	1000
CHAC-2	11.1	10.2	30.5	
CHAC-3	11.1	5.0	25.5	

HARNESS CLIP STANDOFF

PLASTECH

- MATERIAL: NYLON 66 (UL)
- FLAME CLASS :94V-2
- COLOR:NATURAL
- UNIT:mm



CHASSIS Ø4.8
THICKNESS 0.5~2.0

PART NO	A	B	C	PACKAGE
CHF-1	16.4	12.0	19.0	500
CHF-2	14.4	10.4	14.0	