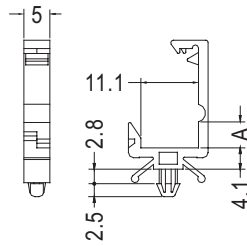
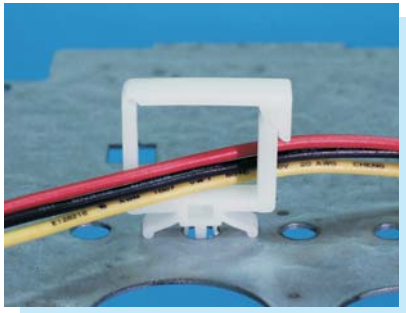


WIRE SADDLE

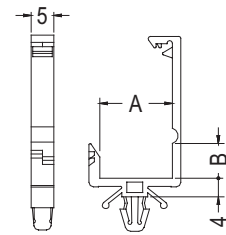
PLASTECH

- ◆ MATERIAL: NYLON 66 (UL)
- ◆ FLAME CLASS :94V-2
- ◆ COLOR:NATURAL
- ◆ UNIT:mm



CHASSIS Ø3.5
THICKNESS 0.8~2.5

PART NO	A	PACKAGE
CHH-1	4.9	500
CHH-2	10.1	



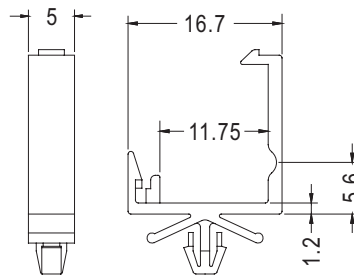
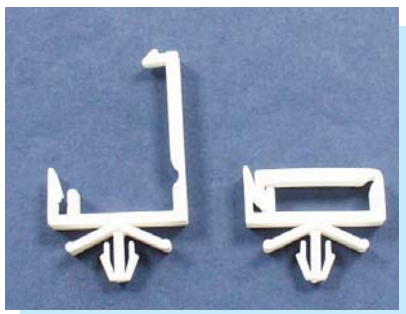
CHASSIS Ø4.8~Ø5.0
THICKNESS 1.2~2.4

PART NO	A	B	PACKAGE
CHC-1	16.0	14.0	500
CHC-2	11.1	10.2	
CHC-3	11.1	5.0	

WIRE SADDLE

PLASTECH

- ◆ MATERIAL: NYLON 66 (UL)
- ◆ FLAME CLASS :94V-2/94V-0
- ◆ COLOR:NATURAL/WHITE
- ◆ UNIT:mm



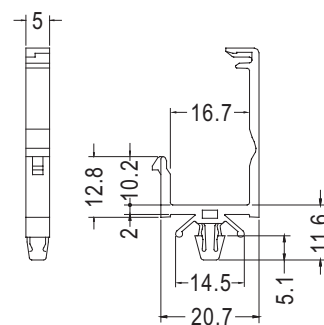
CHASSIS Ø3.5
THICKNESS 0.8~2.0

PART NO	PACKAGE
CHJ-3	1000

WIRE SADDLE

PLASTECH

- ◆ MATERIAL: NYLON 66 (UL)
- ◆ FLAME CLASS :94V-0/94V-2
- ◆ COLOR:NATURAL
- ◆ UNIT:mm



CHASSIS Ø4.8
THICKNESS 0.5~2.0

PART NO	PACKAGE
CHM-10	1000