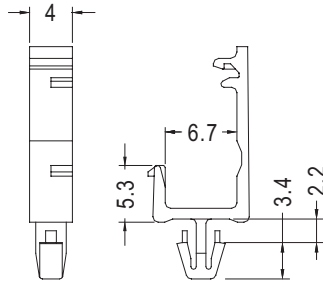


WIRE SADDLE

PLASTECH

- ◆ MATERIAL: NYLON 66 (UL)
- ◆ FLAME CLASS : 94V-0/94V-2
- ◆ COLOR: NATURAL
- ◆ UNIT: mm



PART NO	PACKAGE
CHL-3	1000

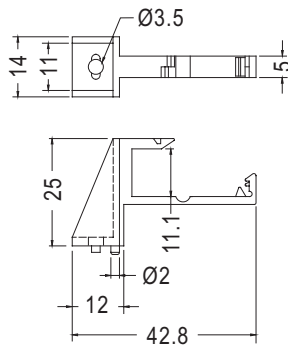
CHASSIS Ø3.0
THICKNESS 1.2~1.7

HARNESS CLIP STANDOFF

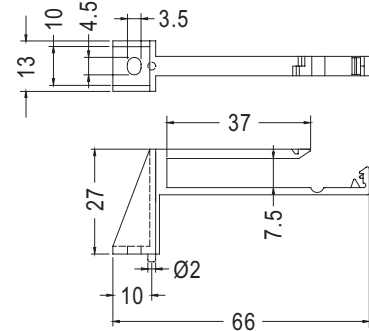
PLASTECH

4

- ◆ MATERIAL: NYLON 66 (UL)
- ◆ FLAME CLASS : 94V-2
- ◆ COLOR: NATURAL/BLACK
- ◆ UNIT: mm



PART NO	PACKAGE
CHW-1	250

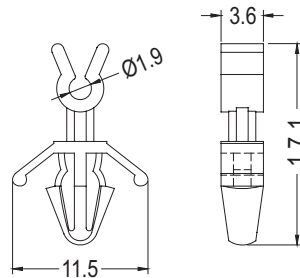


PART NO	PACKAGE
CHW-2	250

WIRE MOUNT

PLASTECH

- ◆ MATERIAL: NYLON 66 (UL)
- ◆ FLAME CLASS : 94V-2
- ◆ COLOR: NATURAL
- ◆ UNIT: mm



CHASSIS Ø4.0
THICKNESS 0.8~2.5

NEW

PART NO	PACKAGE
THV-1	500