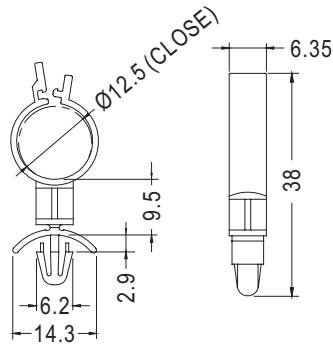


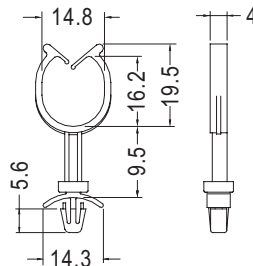
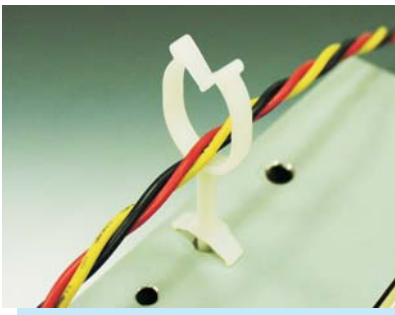
- MATERIAL: NYLON 66(UL)
- FLAME CLASS :94V-2
- COLOR:NATURAL
- UNIT:mm



CHASSIS Ø4.8
THICKNESS 0.8~2.0

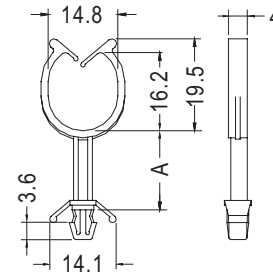
PART NO	PACKAGE
SLC-19	500

- MATERIAL: NYLON 66 (UL)
- FLAME CLASS :94V-2/94V-0
- COLOR:NATURAL
- UNIT:mm



CHASSIS Ø4.8~Ø5.0
THICKNESS 0.5~2.3

PART NO	PACKAGE
THE-9	500

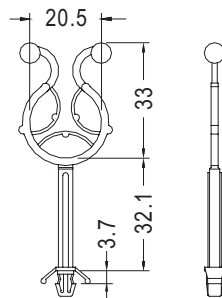
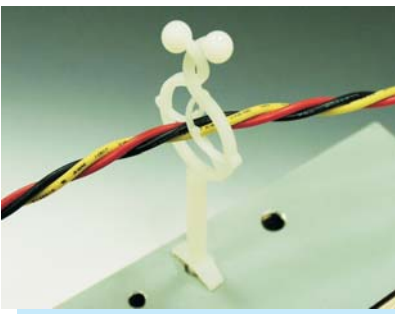


CHASSIS Ø4.8~Ø5.0
THICKNESS 0.5~2.3

PART NO	A	PACKAGE
THE-12	12.7	500
THE-17	16.8	
THE-25	25.0	
THE-37	36.8	



- MATERIAL: NYLON 66 (UL)
- FLAME CLASS :94V-0/94V-2
- COLOR:NATURAL
- UNIT:mm



CHASSIS Ø4.8~Ø5.0
THICKNESS 0.5~2.3

PART NO	PACKAGE
THF-1	500

