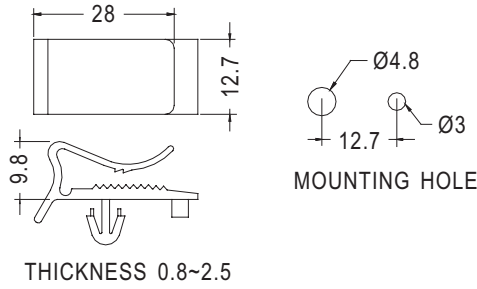
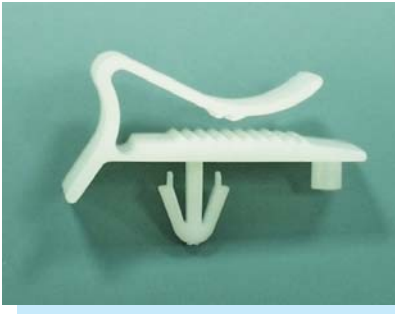


FLAT CABLE CLAMP

PLASTECH

- MATERIAL: NYLON 66 (UL)
- FLAME CLASS :94V-2
- COLOR:NATURAL
- UNIT:mm

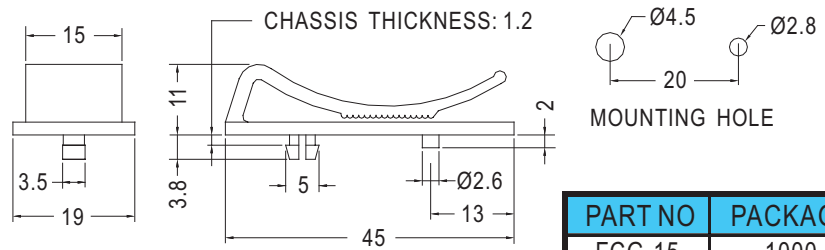
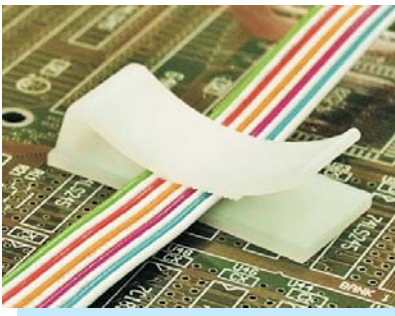


PART NO	PACKAGE
FCCT-12	500

FLAT CABLE CLAMP

PLASTECH

- MATERIAL: NYLON 66 (UL)
- FLAME CLASS :94V-2
- COLOR:NATURAL
- UNIT:mm

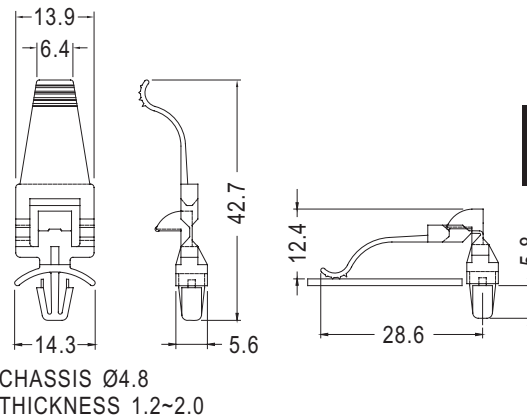
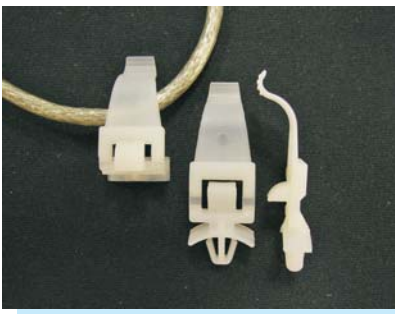


PART NO	PACKAGE
FCG-15	1000

CABLE CLAMP

PLASTECH

- MATERIAL: NYLON 66 (UL)
- FLAME CLASS :94V-2
- COLOR:NATURAL
- UNIT:mm



PART NO	PACKAGE
HFCC-12	1000