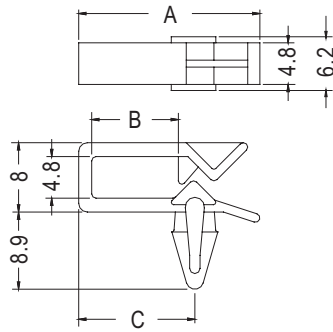


WIRE SADDLE SIDE ENTRY

PLASTECH

- MATERIAL: NYLON 66 (UL)
- FLAME CLASS :94V-2
- COLOR:NATURAL/GRAY
- UNIT:mm



CHASSIS Ø4.8
THICKNESS 2.0

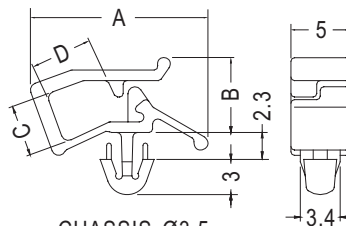
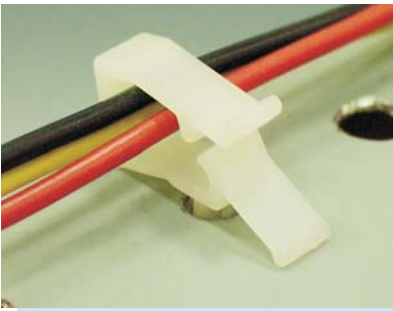
PART NO	A	B	C	PACKAGE
WPEG-1	20.9	10.0	13.4	1000
WPEG-2	24.2	13.2	16.8	

WIRE SADDLE SIDE ENTRY

PLASTECH

4

- MATERIAL: NYLON 66 (UL)
- FLAME CLASS :94V-2
- COLOR:NATURAL
- UNIT:mm



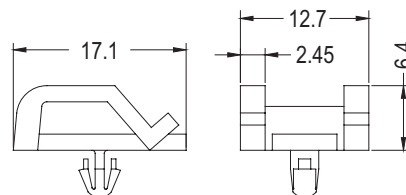
CHASSIS Ø3.5
THICKNESS 0.5~1.6

PART NO	A	B	C	D	PACKAGE
WPEM-1	20.3	8.5	6.2	7.2	1000
WPEM-1S	15.2	6.4	4.3	5.3	
WPEM-2	13.5	5.0	2.6	4.1	

WIRE MOUNT

PLASTECH

- MATERIAL: NYLON 66 (UL)
- FLAME CLASS:94V-2
- COLOR:NATURAL
- UNIT:mm



P.C.B Ø3.0
THICKNESS 1.6

NEW

PART NO	PACKAGE
FCPT-1	1000