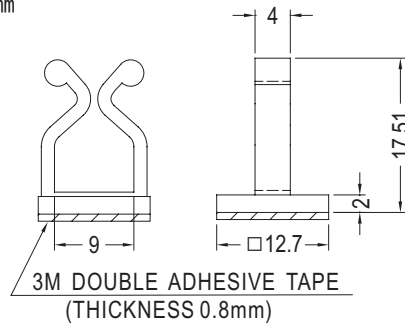


WIRE MOUNT

PLASTECH

- MATERIAL: NYLON 66 (UL)
- FLAME CLASS: 94V-2
- COLOR: NATURAL
- UNIT: mm



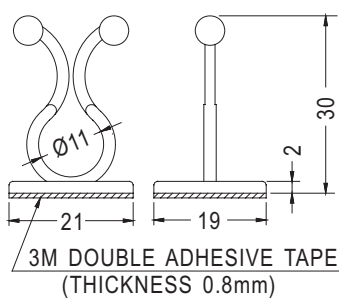
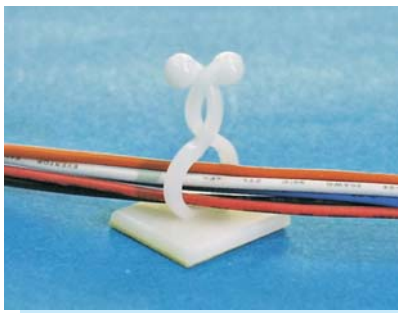
NEW

PART NO	PACKAGE
MWS-26	2000

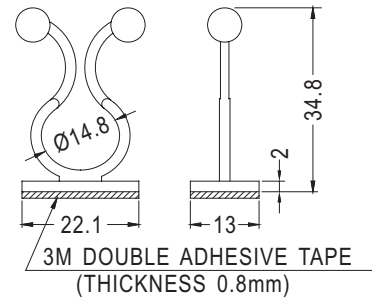
WIRE HOLDER

PLASTECH

- MATERIAL: NYLON 66 (UL)
- FLAME CLASS :94V-2
- COLOR: NATURAL
- UNIT: mm



PART NO	PACKAGE
KL-11	500

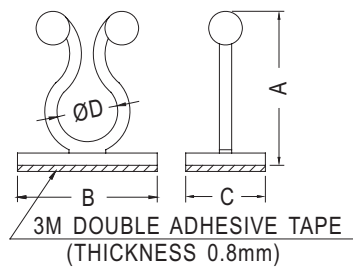
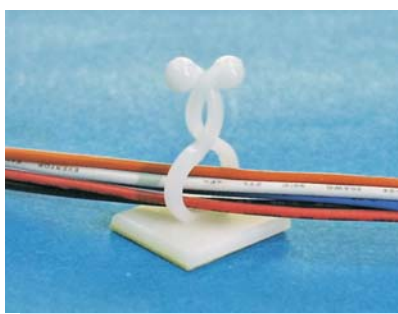


PART NO	PACKAGE
KL-14	250

WIRE HOLDER

PLASTECH

- MATERIAL: NYLON 66 (UL)
- FLAME CLASS :94V-2
- COLOR: NATURAL
- UNIT: mm



PART NO	A	B	C	D	CLOSE (D)	PACKAGE
KL-1	31.9	20.0	20.0	15.0	13.8	250
KL-2	26.2	20.0	14.0	9.2	8.5	500
KL-2L	27.9	25.0	13.0	9.4	8.2	
KL-3	28.2	21.0	19.0	11.1	10.0	100
KL-5	56.2	38.0	20.0	36.0	34.0	
KL-6	27.6	10.0	19.8	6.6	5.8	500
KL-7	21.9	20.0	13.0	8.5	7.2	
KL-16	37.0	25.0	13.0	18.0	17.0	250
KL-19	39.0	25.0	13.0	21.0	20.0	
KL-22	41.0	28.0	15.0	24.0	23.0	