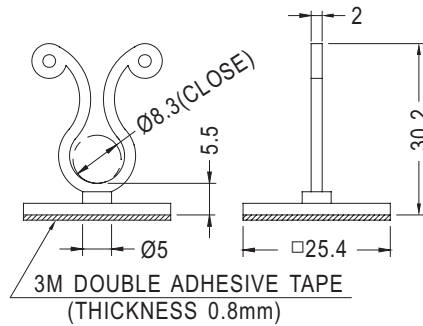
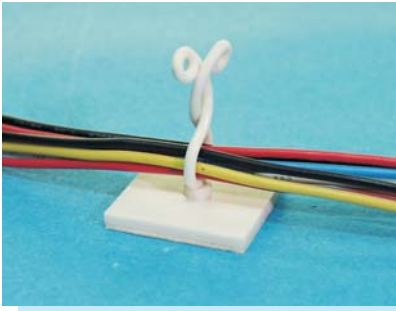


# WIRE HOLDER

PLASTECH

- MATERIAL: NYLON 66 (UL)
- FLAME CLASS :94V-2
- COLOR:NATURAL
- UNIT:mm



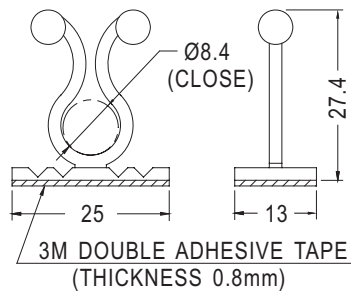
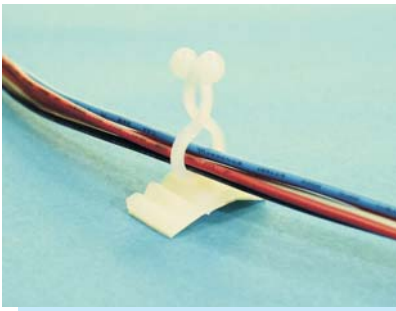
PART NO	PACKAGE
KLS-1	250

# WIRE HOLDER

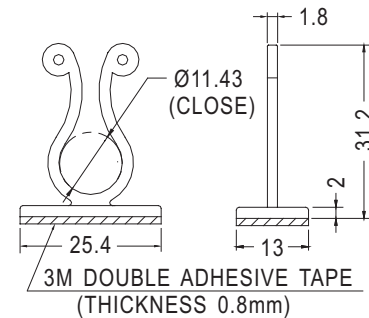
PLASTECH

4

- MATERIAL: NYLON 66 (UL)
- FLAME CLASS :94V-2
- COLOR:NATURAL
- UNIT:mm



PART NO	PACKAGE
KLB-1	500

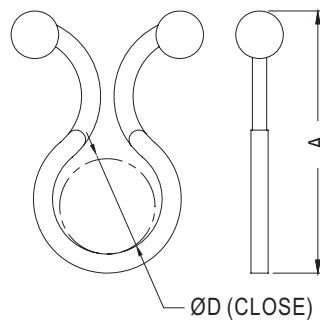
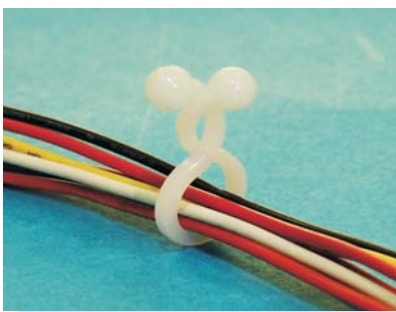


PART NO	PACKAGE
KLF-11	500

# WIRE LOCK

PLASTECH

- MATERIAL: NYLON 66 (UL)
- FLAME CLASS :94V-2
- COLOR:NATURAL
- UNIT:mm



**PL**<sup>®</sup>  
E217732

PART NO	A	D	CLOSED	PACKAGE
TL-1	17.8	5.1	4.0	1000
TL-2	23.8	8.3	7.3	
TL-3A	27.5	11.5	10.0	
TL-4	30.4	15.4	13.8	
TL-5	35.0	18.8	17.2	
TL-6	41.4	25.8	24.2	500
TL-7	42.0	22.0	19.5	
TL-8	16.5	5.6	5.0	
TL-9	30.0	11.0	9.7	
TL-13	32.5	13.2	11.5	
TL-28	55.5	29.0	26.8	