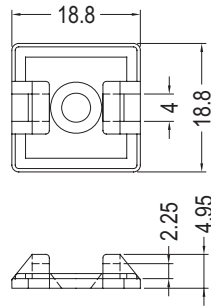


# CABLE TIE MOUNT

PLASTECH

- MATERIAL: NYLON 66 (UL)
- FLAME CLASS: 94V-2
- COLOR: NATURAL
- UNIT: mm



NEW

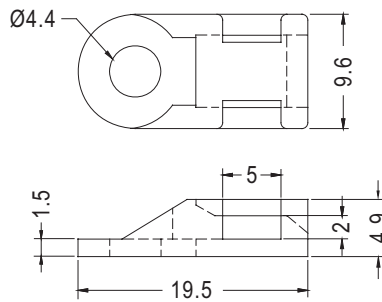
PART NO	PACKAGE
CM-18	1000

# CABLE TIE MOUNT

PLASTECH

4

- MATERIAL: NYLON 66 (UL)
- FLAME CLASS :94V-0/V-2
- COLOR: NATURAL
- UNIT: mm

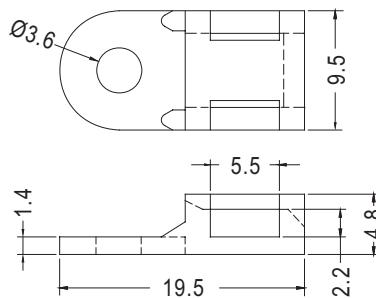
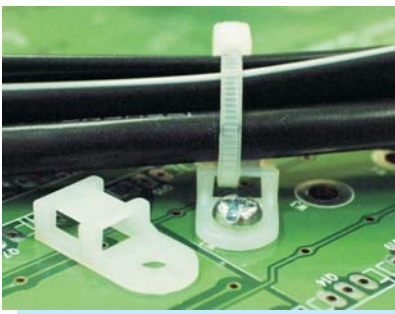


PART NO	PACKAGE
TH-1	1000

# CABLE TIE MOUNT

PLASTECH

- MATERIAL: NYLON 66 (UL)
- FLAME CLASS :94V-0/V-2
- COLOR: NATURAL
- UNIT: mm



PART NO	PACKAGE
TH-3	1000