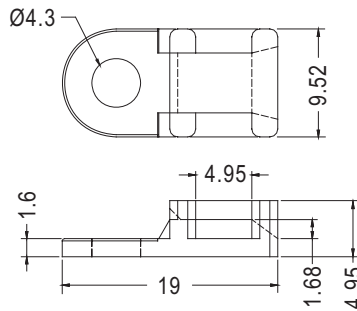


CABLE TIE MOUNT

PLASTECH

- MATERIAL: NYLON 66 (UL)
- FLAME CLASS : 94V-0/V-2
- COLOR: NATURAL
- UNIT: mm

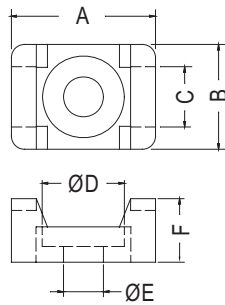


PART NO	PACKAGE
TH-4	1000

CABLE TIE MOUNT

PLASTECH

- MATERIAL: NYLON 66 (UL)
- FLAME CLASS : 94V-2
- COLOR: NATURAL
- UNIT: mm

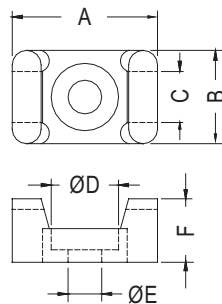
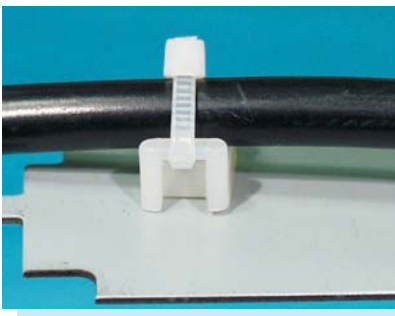


PART NO	A	B	C	D	E	F	PACKAGE
TM-2S6	14.9	9.6	5.6	7.8	3.7	7.2	1000
TM-2S8	14.9	9.6	5.6	7.8	4.5	7.2	
TM-3S8	22.0	16.0	9.2	8.0	4.5	9.6	500
TM-3S10	22.0	16.0	9.2	9.6	4.8	9.6	
TM-3S25	22.0	16.0	9.2	12.7	6.4	9.6	

CABLE TIE MOUNT

PLASTECH

- MATERIAL: NYLON 66 (UL)
- FLAME CLASS : 94V-2
- COLOR: NATURAL
- UNIT: mm



PART NO	A	B	C	D	E	F	PACKAGE
TH-2	15.2	9.7	5.2	6.9	3.5	6.6	1000
TH-2S	13.3	8.2	3.6	5.9	3.2	5.85	