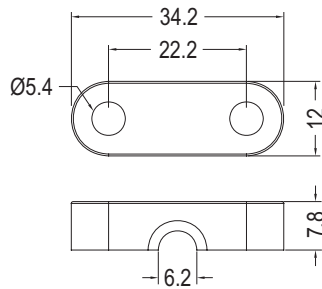


WIRE MOUNT

PLASTECH

- MATERIAL: NYLON 66 (UL)/ABS (UL)
- FLAME CLASS: 94V-2/94HB
- COLOR: NATURAL/BLACK
- UNIT: mm

NEW



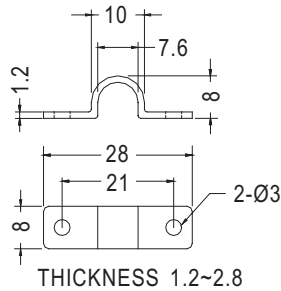
PART NO	PACKAGE
CLT-8	1000

WIRE MOUNT

PLASTECH

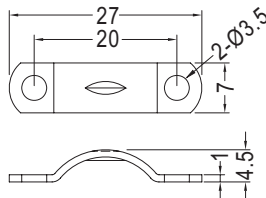
4

- MATERIAL: NYLON 66 (UL)
- FLAME CLASS :94V-2
- COLOR: NATURAL
- UNIT: mm



PART NO	PACKAGE
CLM-7.5	500

- MATERIAL: STEEL

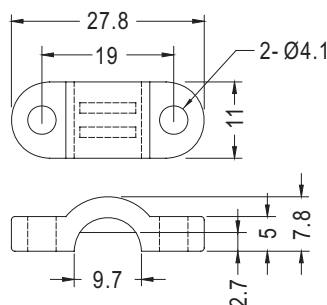


PART NO	PACKAGE
CLS-1	500

WIRE MOUNT

PLASTECH

- MATERIAL: ABS (UL)
- FLAME CLASS :94HB
- COLOR: WHITE/NATURAL
- UNIT: mm



PART NO	PACKAGE
CLT-1	500