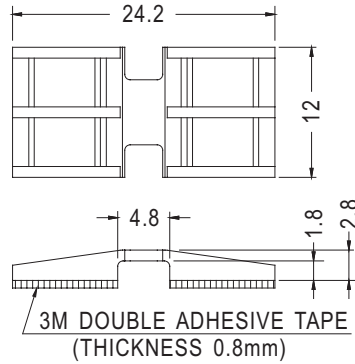
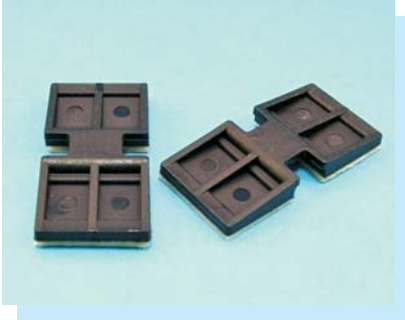


CABLE TIE MOUNT

PLASTECH

- MATERIAL: NYLON 66 (UL)
- FLAME CLASS :94V-2
- COLOR:BLACK
- UNIT:mm

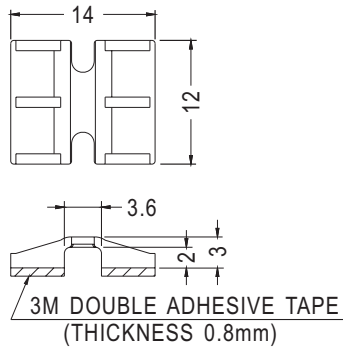
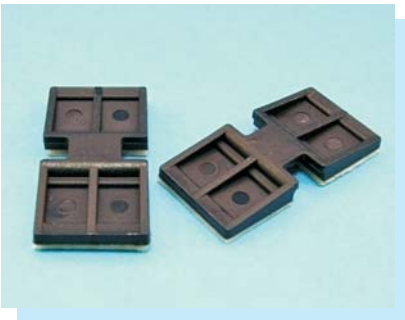


PART NO	PACKAGE
THU-1	1000

CABLE TIE MOUNT

PLASTECH

- MATERIAL: NYLON 66 (UL)
- FLAME CLASS :94V-2
- COLOR:BLACK
- UNIT:mm

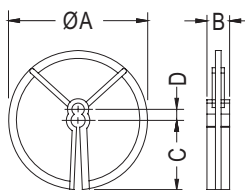
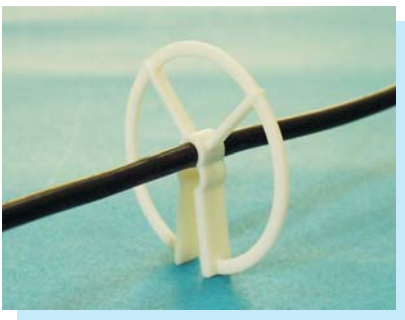


PART NO	PACKAGE
THU-2	1000

F.B.T CLIP

PLASTECH

- MATERIAL: NYLON 66 (UL)
- FLAME CLASS:94V-2/94V-0
- COLOR:NATURAL
- UNIT:mm



PART NO	A	B	C	D	FIT CABLE	PACKAGE
FBT-1	49.5	7.8	22.0	5.0	4.5~5.3	100
FBT-2	49.2	7.8	22.0	5.0	3.5~4.5	
FBT-3	50.2	7.4	23.0	5.0	2.5~3.5	
FBT-4	49.5	8.0	22.5	4.6	4.0~4.5 or 5.0~5.5	
FBT-5	49.2	8.0	22.0	4.7	3.7~4.2 or 4.5~5.2	